

BEC-A/BED-A

Soil Pressure Transducer

1
-228

Sensor



Suitable for model experiments or soil pressure distribution experiments

- Rated capacity: 200 kPa to 1 MPa
- Pressure sensing surface diameter: 23 mm
- For short-term experiments

These compact soil pressure transducers (outer diameter $\phi 30$) are suitable for soil pressure distribution measurement and model experiments during short-term experiments.

Specifications

Performance

Rated Capacity See table below.

Nonlinearity Within $\pm 2\%$ RO

Hysteresis Within $\pm 1\%$ RO

Rated Output 0.25 mV/V or more

Environmental Characteristics

Safe Temperature -10 to 60°C

Compensated Temperature 0 to 50°C

Temperature Effect on Zero Within $\pm 0.4\%$ RO/ $^\circ\text{C}$

Temperature Effect on Output Within $\pm 0.4\%$ / $^\circ\text{C}$

Electrical Characteristics

Safe Excitation 4 V AC or DC

Recommended Excitation 2 to 4 V AC or DC

Input Resistance $120 \Omega \pm 1.7\%$

Output Resistance $120 \Omega \pm 1.7\%$

Cable 4-conductor (0.08 mm^2) chloroprene shielded cable, 4 mm diameter by 3 m long, bared at the tip (Shield wire is connected to the case.)

Mechanical Properties

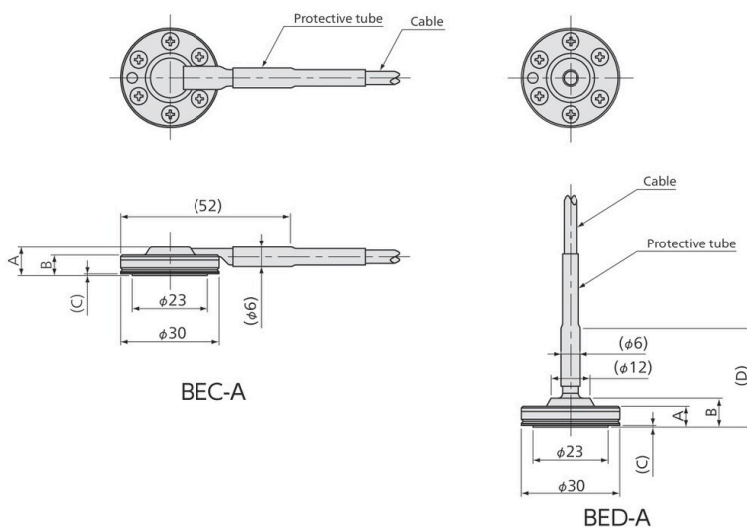
Safe Overloads 120%

Weight Approx. 40 g (Excluding cable)

Models

Model	Use	Rated Capacity	A	B	(C)	(D)
BEC-A-200KP	Underground soil pressure measurement	200 kPa	8.7	6.2	0.5	—
BEC-A-500KP		500 kPa	9	6.5	0.8	
BEC-A-1MP		1 MPa				
BED-A-200KP	Wall surface soil pressure measurement	200 kPa	6.2	8.7	0.5	29.7
BED-A-500KP		500 kPa	6.5	9	0.8	30
BED-A-1MP		1 MPa				

Dimensions



Strain Gage

Load Cell

Pressure Sensor

Acceleration Sensor

Torque Sensor

Displacement Sensor

Component Force Sensor

Automotive Sensor

Civil Engineering Sensor