

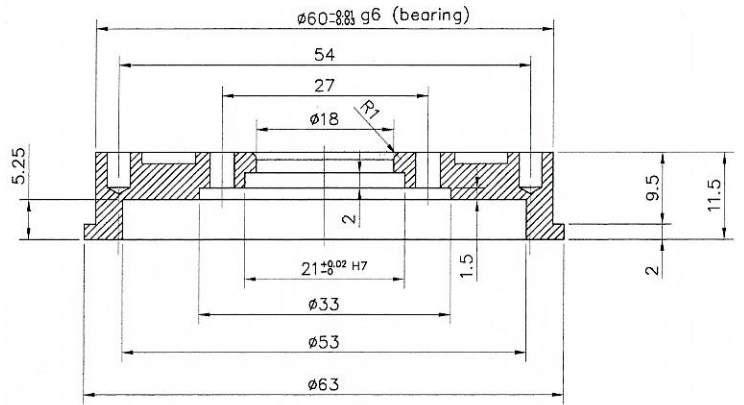
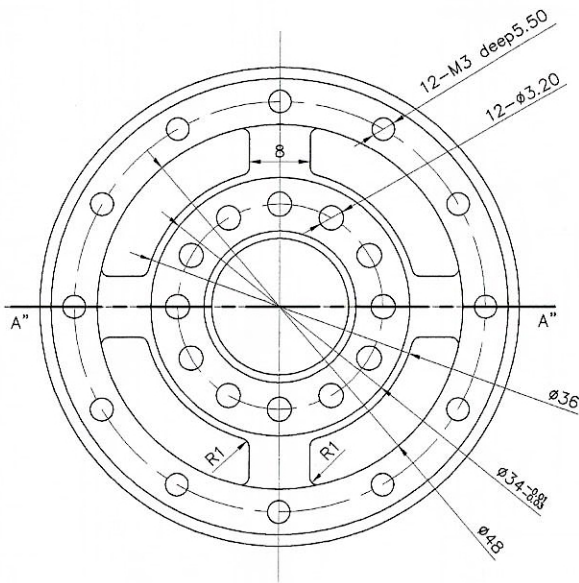
Model : 100N-TS

의족로봇용 (대)



CABLE 4-P(15 Cm) EXC+ Red
 EXC- White
 SIG + Green
 SIG - Black

CAPACITY : 100 Nm
 RATED OUTPUT : APPROX. 1.0 mv/v
 INPUT RESISTANCE : 350 Ω ± 5%
 OUTPUT RESISTANCE : 350 Ω ± 1%
 ZERO BALANCE : ±1.0 R.O.
 TEMPERATURE EFFECT ZERO : 0.03%R.O./10°C
 TEMPERATURE EFFECT R.O. : 0.03%R.O./10°C
 NON-LISEARITY : ± 0.1 % R.O.
 HYSTERESIS : ± 0.05 % R.O.
 EXCITATION RECOMMENDED : 10 V DC



단면 A-A'

General Tolerance		Quantity	Scale	Unit
0 ~ 0.5	± 0.05	1 Piece	1:1	mm
0.5 ~ 6	± 0.1		Title ULW Motor (01810)	
6 ~ 30	± 0.2	Material	Article	
30 ~ 120	± 0.3	Al 2024 T6	TORQUE SENSOR	
120 ~ 315	± 0.5	Design	Surface Treatment	
315 ~ 1000	± 0.8	H.D.CHO		
Machining		DWG. No.	DAISO CELL CO.	
현대정밀		100N-TS-60		