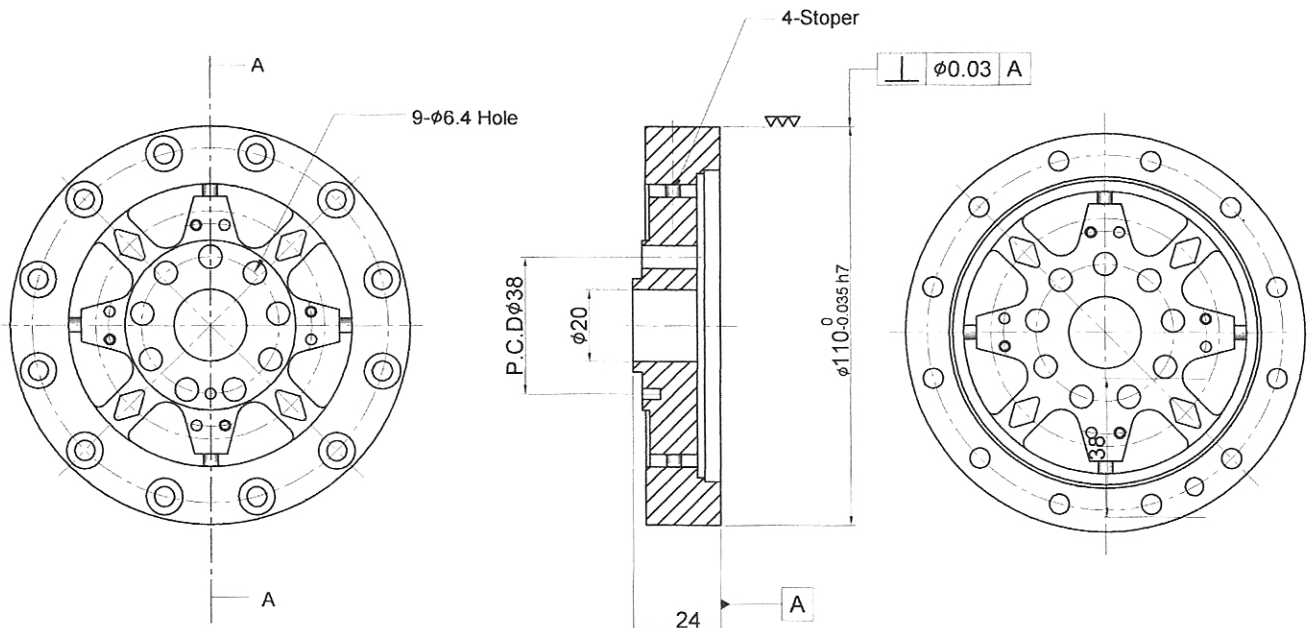


TORQUE SENSOR

DAISO CELL www.daisocell.co.kr

Model : 100N-TSD



Capacity	Nm	50, 100, 200
Rated Output	mv/v	1.0~2.0 ± 0.2 %
Zero Balance	% R.O.	± 2.0
Nonlinearity	% R.O.	0.50
Hysteresis	% R.O.	0.20
Temperature on Zero	% R.O./10°C	0.05
Temperature on Output	% R.O./10°C	0.05
Excitation Recommended	V DC	10
Excitation Maximum	V DC	15
Input Resistance	Ohms	720 ± 10%
Output Resistance	Ohms	700 ± 1 %