



Adapter Set for HiD Termination Board HiD-ADP-HiC-DI

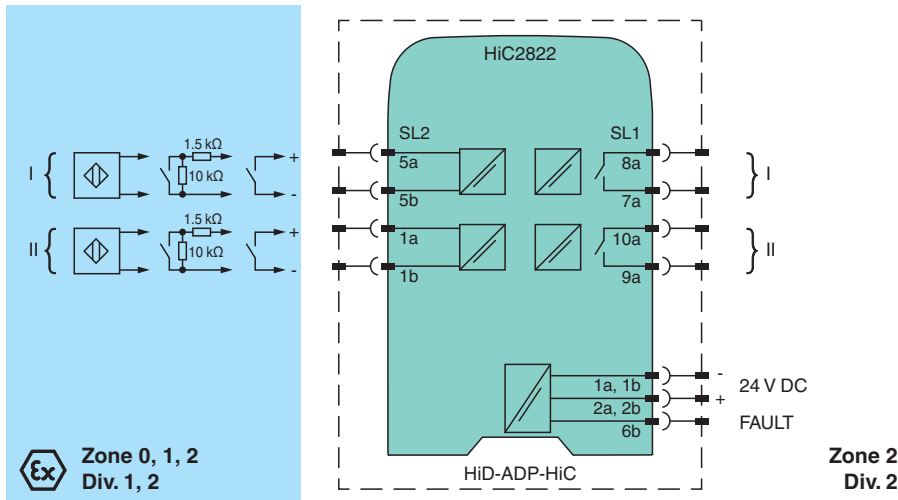
- Set consisting of isolated barrier HiC2822 and adapter HiD-ADP-HiC
- 2-channel isolated barrier
- 24 V DC supply (bus powered)
- Dry contact or NAMUR inputs
- 2 relay contact outputs
- For HiD Termination Board mounting
- Up to SIL 2 acc. to IEC/EN 61508



Function

The device enables the usage of HiC devices on HiD termination boards.
 The device consists of a isolated barrier and a HiD-ADP-HiC adapter.
 The device transfers digital signals (NAMUR sensors/mechanical contacts) from the explosion-hazardous area to the non-explosion-hazardous area.
 Each input controls a relay contact output for the non-explosion-hazardous area load.
 During a fault state, the relays revert to the de-energized state and LEDs indicate the fault according to NAMUR NE 44. A separate fault bus is available. This fault bus can be monitored if the termination board supports a module fault detection.
 The device is mounted on the HiD termination board.

Connection



Release date: 2025-04-01 Date of issue: 2025-04-01 Filename: 70188962_eng.pdf

Refer to "General Notes Relating to Pepperl+Fuchs Product Information".

Pepperl+Fuchs Group
www.pepperl-fuchs.com

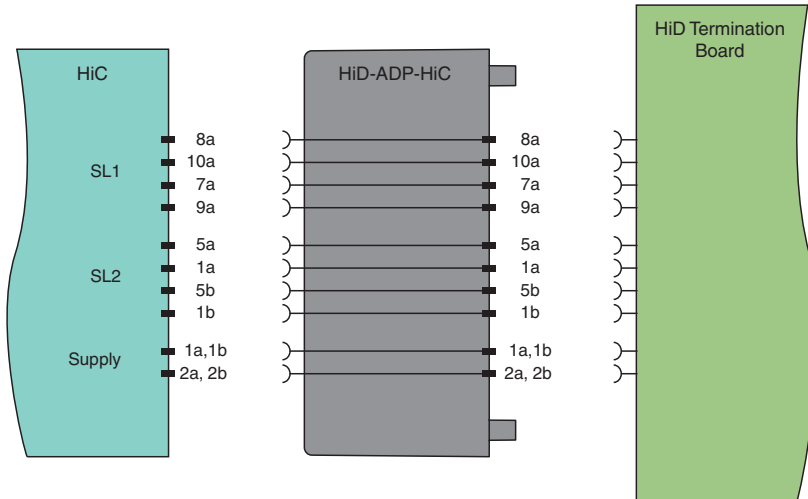
USA: +1 330 486 0002
pa-info@us.pepperl-fuchs.com

Germany: +49 621 776 2222
pa-info@de.pepperl-fuchs.com

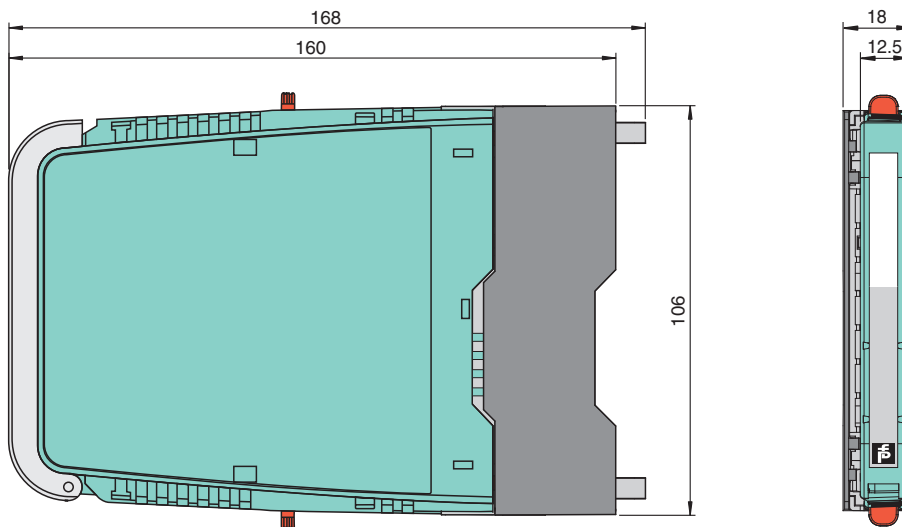
Singapore: +65 6779 9091
pa-info@sg.pepperl-fuchs.com

PEPPERL+FUCHS

Connection



Dimensions



Technical Data

General specifications			
Signal type	Digital Input		
Functional safety related parameters			
Safety Integrity Level (SIL)	SIL 2		
Supply			
Rated voltage	U_r	19 ... 30 V DC bus powered via Termination Board	
Rated current	I_r	≤ 30 mA	
Power dissipation	≤ 600 mW		
Power consumption	≤ 600 mW		
Input			
Connection side	field side		
Open circuit voltage/short-circuit current	approx. 10 V DC / approx. 8 mA		
Switching point/switching hysteresis	1.2 ... 2.1 mA / approx. 0.2 mA		
Line fault detection	breakage $I \leq 0.1$ mA , short-circuit $I \geq 6.7$ mA		
Output			
Connection side	control side		
Output I	signal ; relay		

Release date: 2025-04-01 Date of issue: 2025-04-01 Filename: 70188962_eng.pdf

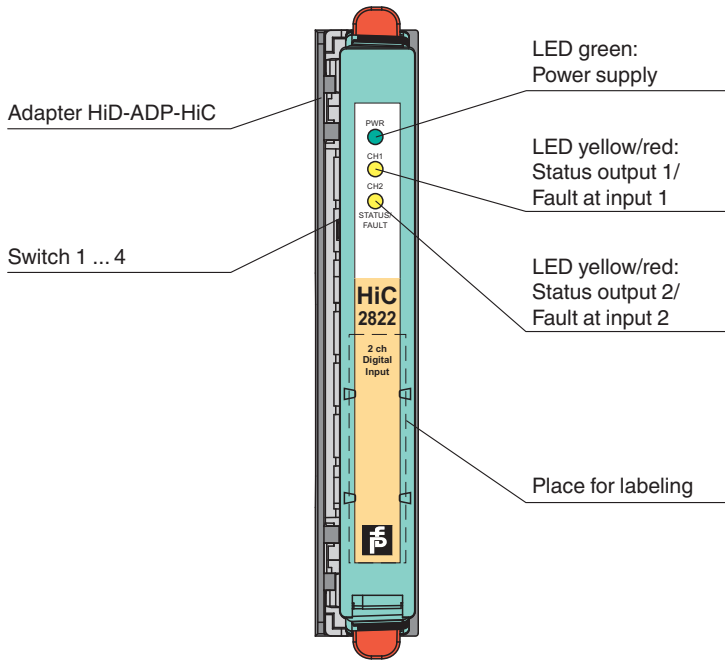
Refer to "General Notes Relating to Pepperl+Fuchs Product Information".

Technical Data

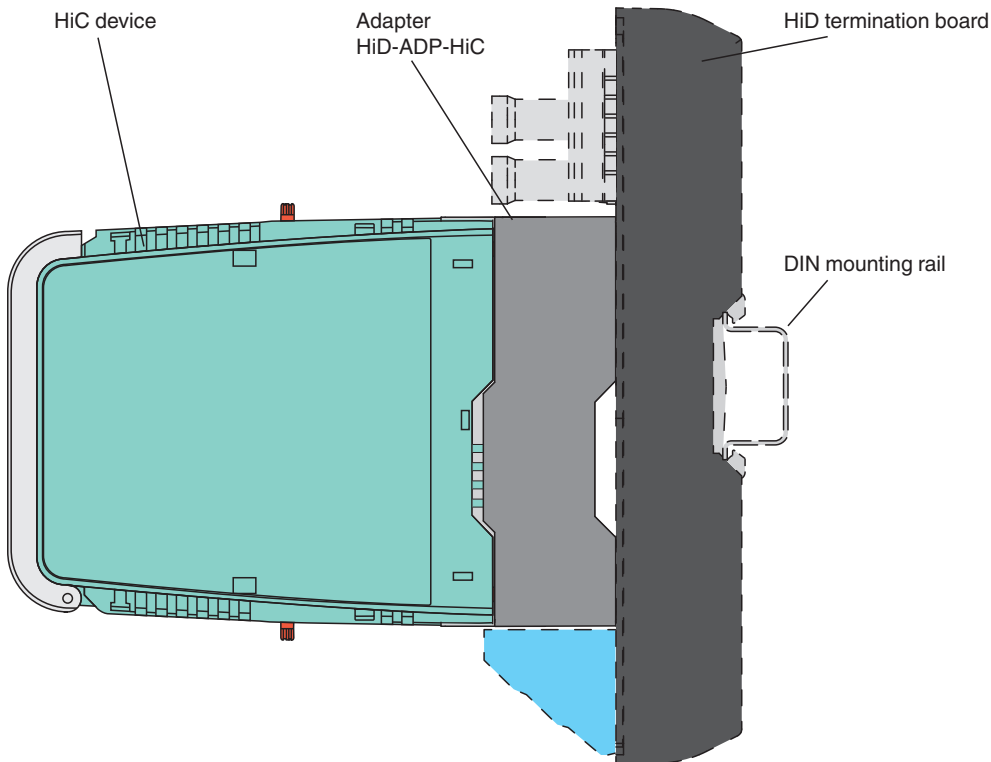
Output II	signal ; relay
Fault indication output	
Output type	open collector transistor (internal fault bus)
Indicators/settings	
Display elements	LEDs
Control elements	DIP switch
Configuration	via DIP switches
Labeling	space for labeling at the front
Directive conformity	
Electromagnetic compatibility	
Directive 2014/30/EU	see datasheet of isolated barrier
Conformity	
Electromagnetic compatibility	see datasheet of isolated barrier
Degree of protection	IEC 60529
Ambient conditions	
Ambient temperature	-20 ... 60 °C (-4 ... 140 °F)
Mechanical specifications	
Degree of protection	IP20
Mass	approx. 200 g
Dimensions	18 x 106 x 168 mm (0.7 x 4.2 x 6.6 inch) (W x H x D)
Mounting	on termination board
Data for application in connection with hazardous areas	
EU-type examination certificate	see datasheet of isolated barrier
International approvals	
UL approval	see datasheet of isolated barrier
IECEx approval	
IECEx certificate	see datasheet of isolated barrier
General information	
Supplementary information	Observe the certificates, declarations of conformity, instruction manuals, and manuals where applicable. For information see www.pepperl-fuchs.com .

Assembly

Front view



Mounting



Product Versions

You can replace the following devices with the HiD-ADP-HiC-DI adapter:

Signal type	HiD-ADP-HiC-DI with HiC module	Function	Replacement for HiD module
Digital input	HiC2822	Switch amplifier	HiD2822

Release date: 2025-04-01 Date of issue: 2025-04-01 Filename: 70188962_eng.pdf

Refer to "General Notes Relating to Pepperl+Fuchs Product Information".

Pepperl+Fuchs Group
www.pepperl-fuchs.com

USA: +1 330 486 0002
pa-info@us.pepperl-fuchs.com

Germany: +49 621 776 2222
pa-info@de.pepperl-fuchs.com

Singapore: +65 6779 9091
pa-info@sg.pepperl-fuchs.com

PF PEPPERL+FUCHS