



Adapter Set for HiD Termination Board HiD-ADP-HiC-DO

- Set consisting of isolated barrier HiC2883 and adapter HiD-ADP-HiC
- 1-channel isolated barrier
- 24 V DC supply (bus or loop powered)
- Output 45 mA at 12 V DC
- Line fault transparency (LFT)
- Test pulse immunity
- For HiD Termination Board mounting
- Up to SIL 3 acc. to IEC/EN 61508



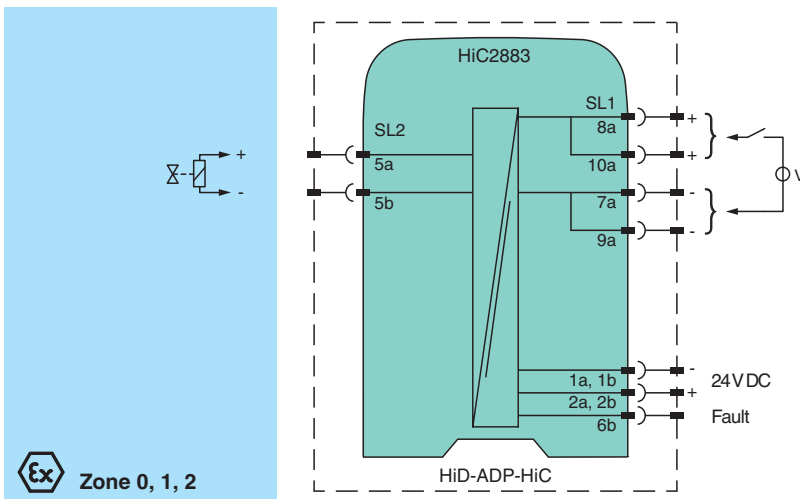
SIL 3



Function

The device enables the usage of HiC devices on HiD termination boards.
 The device consists of a isolated barrier and a HiD-ADP-HiC adapter.
 The device supplies power to solenoids, LEDs and audible alarms located in the explosion-hazardous area.
 The device is controlled with a loop powered signal or a bus powered logic signal.
 The device is immune to the test pulses of various control systems.
 The device simulates a minimum load at the input. The minimum load can be activated and de-activated.
 The line fault transparency function can display a line fault in the field by a change in impedance at the switching input of the solenoid driver.
 The device is mounted on the HiD termination board.

Connection



Ex Zone 0, 1, 2

Release date: 2025-04-01 Date of issue: 2025-04-01 Filename: 70188963_eng.pdf

Refer to "General Notes Relating to Pepperl+Fuchs Product Information".

Pepperl+Fuchs Group
www.pepperl-fuchs.com

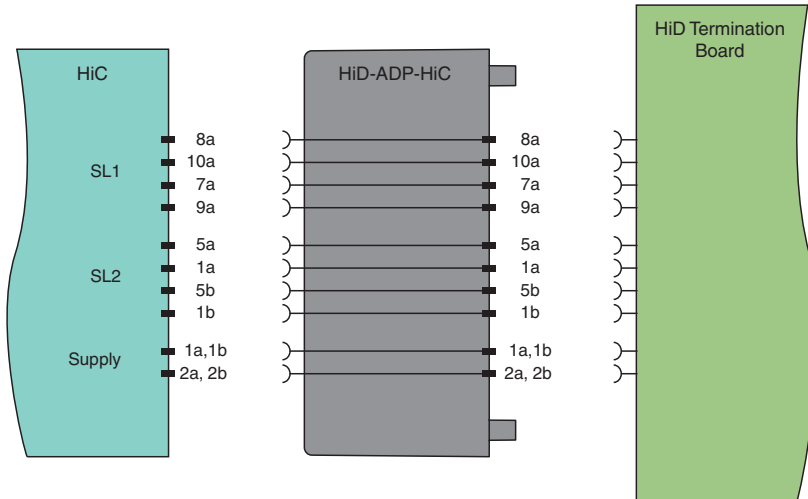
USA: +1 330 486 0002
pa-info@us.pepperl-fuchs.com

Germany: +49 621 776 2222
pa-info@de.pepperl-fuchs.com

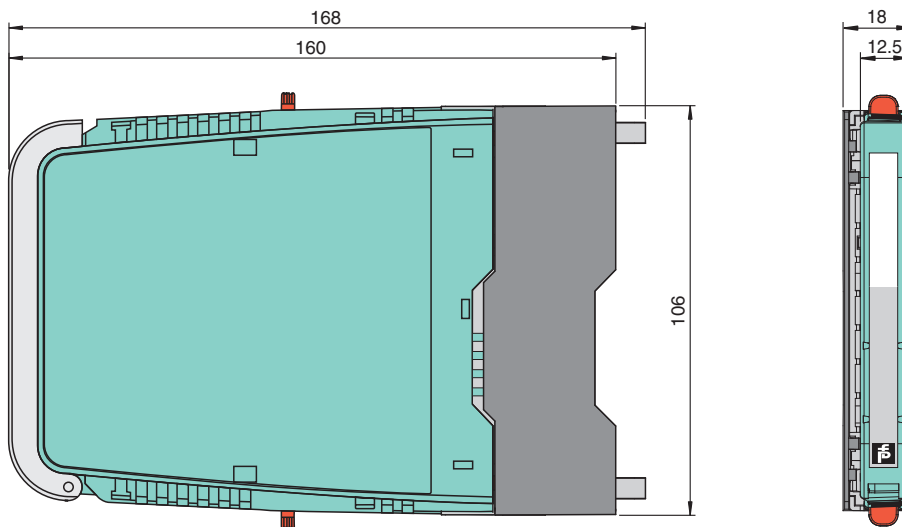
Singapore: +65 6779 9091
pa-info@sg.pepperl-fuchs.com

PEPPERL+FUCHS

Connection



Dimensions



Technical Data

General specifications		
Signal type		Digital Output
Functional safety related parameters		
Safety Integrity Level (SIL)		SIL 3
Supply		
Rated voltage	U_r	19 ... 30 V bus powered via Termination Board 19 ... 30 V loop powered via input , reverse polarity protected
Input current		75 mA at 24 V, 270 Ω load
Power dissipation		1.3 W at 24 V, 270 Ω load
Input		
Connection side		control side
Signal level		loop powered 1-signal: 19 ... 30 V DC 0-signal: 0 ... 5 V DC bus powered 1-signal: 15 ... 30 V DC (current limited to 5 mA) 0-signal: 0 ... 5 V DC
Rated current	I_r	0-signal: typ. 1.6 mA at 1.5 V DC; typ. 8 mA at 3 V DC (maximum leakage current DO card) 1-signal: ≥ 36 mA (minimum load current DO card)

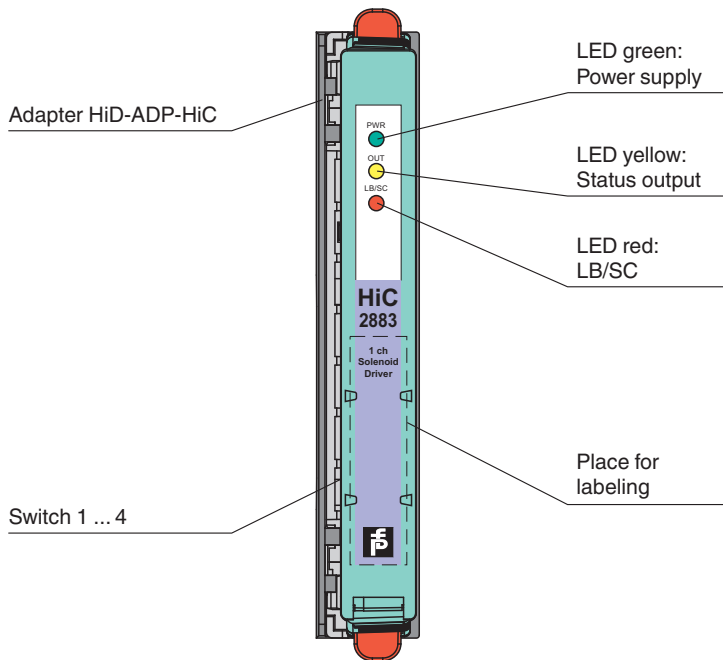
Release date: 2025-04-01 Date of issue: 2025-04-01 Filename: 70188963_eng.pdf

Technical Data

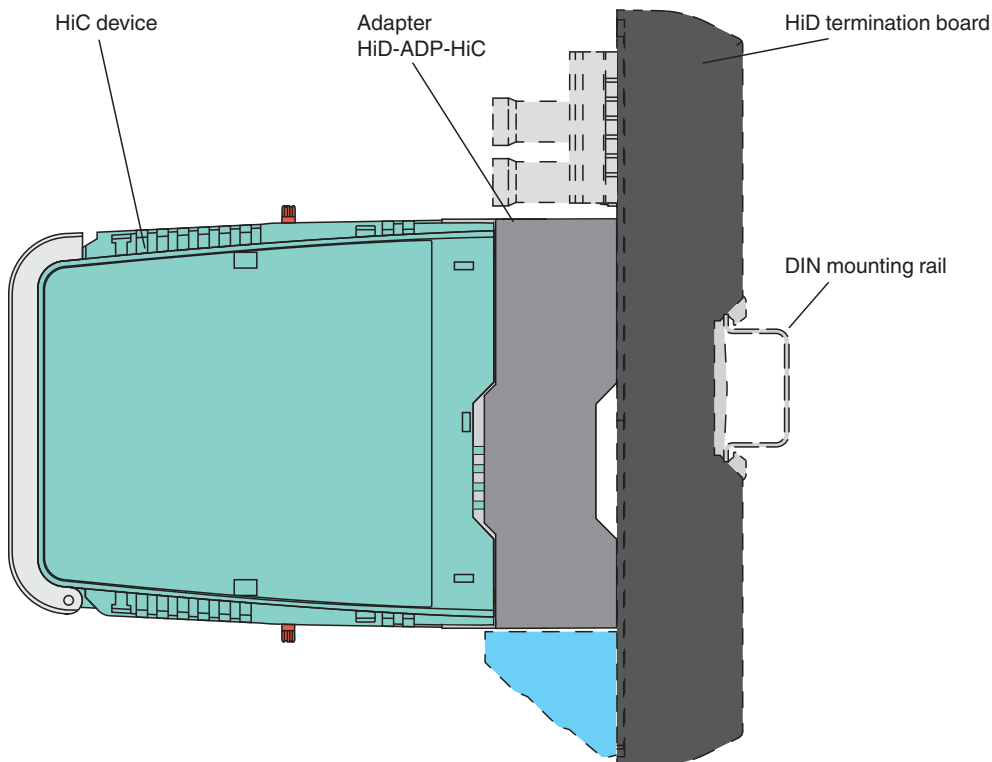
Inrush current	< 200 mA , 10 ms loop powered
Output	
Connection side	field side
Fault indication output	
Output type	open collector transistor (internal fault bus)
Indicators/settings	
Display elements	LEDs
Control elements	DIP switch
Configuration	via DIP switches
Labeling	space for labeling at the front
Directive conformity	
Electromagnetic compatibility	
Directive 2014/30/EU	see datasheet of isolated barrier
Conformity	
Electromagnetic compatibility	see datasheet of isolated barrier
Degree of protection	IEC 60529:2001
Ambient conditions	
Ambient temperature	-20 ... 60 °C (-4 ... 140 °F)
Mechanical specifications	
Degree of protection	IP20
Mass	approx. 160 g
Dimensions	18 x 106 x 168 mm (0.7 x 4.2 x 6.6 inch) (W x H x D)
Mounting	on termination board
Data for application in connection with hazardous areas	
EU-type examination certificate	see datasheet of isolated barrier
International approvals	
FM approval	see datasheet of isolated barrier
UL approval	see datasheet of isolated barrier
IECEx approval	
IECEx certificate	see datasheet of isolated barrier
General information	
Supplementary information	Observe the certificates, declarations of conformity, instruction manuals, and manuals where applicable. For information see www.pepperl-fuchs.com .

Assembly

Front view



Mounting



Product Versions

You can replace the following devices with the HiD-ADP-HiC-DO adapter:

Signal type	HiD-ADP-HiC-DO with HiC module	Function	Replacement for HiD module
Digital output	HiC2883	Solenoid driver	HiD2872

Release date: 2025-04-01 Date of issue: 2025-04-01 Filename: 70188963_eng.pdf

Refer to "General Notes Relating to Pepperl+Fuchs Product Information".

Pepperl+Fuchs Group
www.pepperl-fuchs.com

USA: +1 330 486 0002
pa-info@us.pepperl-fuchs.com

Germany: +49 621 776 2222
pa-info@de.pepperl-fuchs.com

Singapore: +65 6779 9091
pa-info@sg.pepperl-fuchs.com

PF PEPPERL+FUCHS