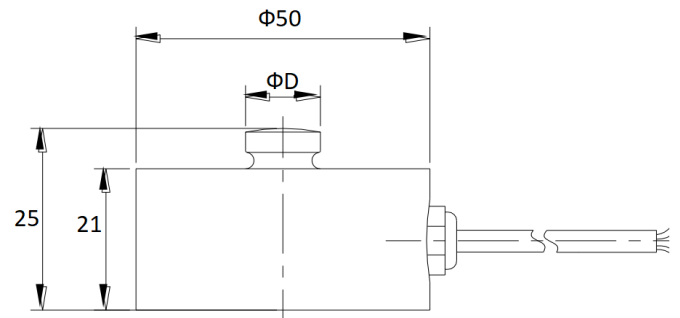
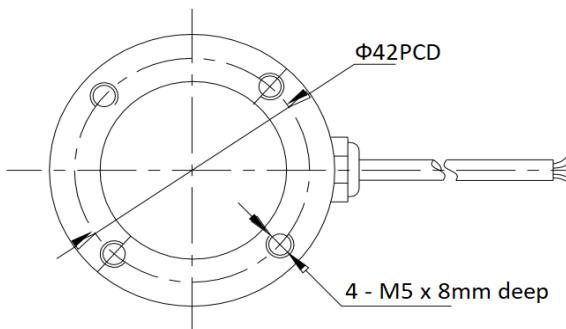
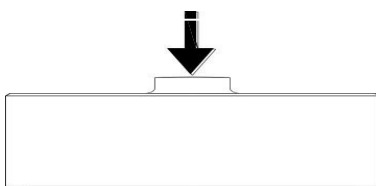


AWC101 Load Cell



Load Direction



Capacity	∅D (mm)
0.05t - 2t	13
5t	16
10t	21

Specifications

Capacity (t)	0.05, 0.1, 0.2, 0.5, 1, 2, 5, 10
Rated Output/RO (mV/V)	1.5 ± 10%
Zero Balance (mV/V)	±3%FS of RO
Non-Linearity (%RO)	0.15
Hysteresis (%RO)	0.1
Repeatability (%RO)	0.1
Creep (%RO/30min)	0.05
Temp effect on output (%RO/10°C)	0.05
Temp effect on zero (%RO/10°C)	0.05
Input Impedance (Ω)	780±30
Output Impedance (Ω)	700±30

Insulation (MΩ)	≥5000 @ VDC
Recommended Excitation (V)	10
Maximum Excitation (V)	15
Compensated Temp Range (°C)	-10~+60
Operating Temp Range (°C)	-20~+80
Safe Overload (%RO)	150
Ultimate Overload (%RO)	300
Cable Size (mm)	∅3.6x4000 (4m)
Cable Length (m)	5
Material	Stainless Steel (0.1t - 10t) Aluminum (50kg)
Protection Class	IP67