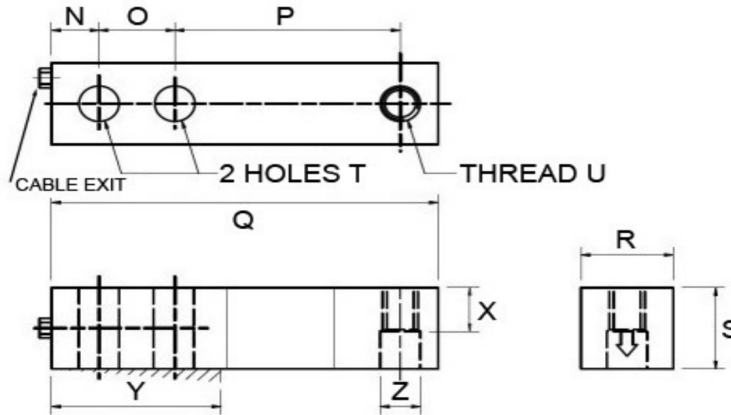


AWSB Shear Beam load cell



Capacity (t)	N	O	P	Q	R	S	T	U	X	Y	Z
0.25 to 2.5	15.8	25.4	76.2	130	31.8	31.8	13.5	M12 x 1.75P	16	57.2	13.5
5	19.1	38.1	95.3	171.5	38.1	38.1	19.8	M18 x 1.5P	19	76.2	19.8
10	25.4	50.8	120.7	222.3	50.8	50.8	26.9	M24 x 2.0P	25.3	101.6	26

Capacity (t)	0.25, 0.5, 1, 1.5, 2, 2.5, 5, 10
Rated Output/RO (mV/V)	3 ± 0.01 (0.5t to 10t) 2 ± 0.01 (0.25t)
Zero Balance (mV/V)	±1%
Non-Linearity (%RO)	0.023
Hysteresis (%RO)	< 0.010%
Repeatability (%RO)	< 0.015%
Creep (%RO/30min)	< 0.023%
Temp effect on output (%RO/10°C)	< 0.015
Temp effect on zero (%RO/10°C)	< 0.020%
Input Impedance (Ω)	405 +/- 30 Ω
Output Impedance (Ω)	350 +/- 5 Ω
Excitation +ve	Red
Excitation -ve	Black

Insulation (MΩ)	> 5000
Recommended Excitation (V)	5-15
Maximum Excitation (V)	18
Compensated Temp Range (°C)	-10~+50
Operating Temp Range (°C)	-20~+60
Safe Overload (%RO)	150
Ultimate Overload (%RO)	300
Cable Size (mm)	∅5.5x4000
Cable Length (m)	4
Material	Tool Steel
Protection Class	IP67
Signal +ve	Green
Signal -ve	White