

AWSSB Load Cell



Features

- ◆ Stainless Shear beam load cell
- ◆ Hermetically sealed IP68
- ◆ Suitable for floor scales, vehicle-test line, hopper scales and other electronic weighing devices
- ◆ High Accuracy
- ◆ Wide range of capacities
- ◆ 2 Year Warranty
- ◆ The Product Squarely meets Reliability, Durability, Pricing and Quality

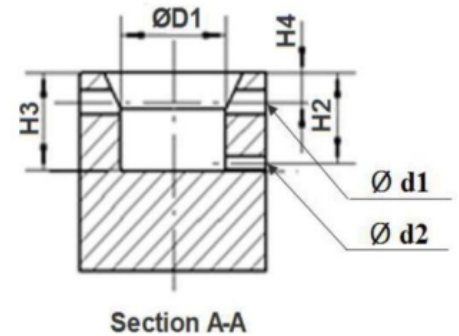
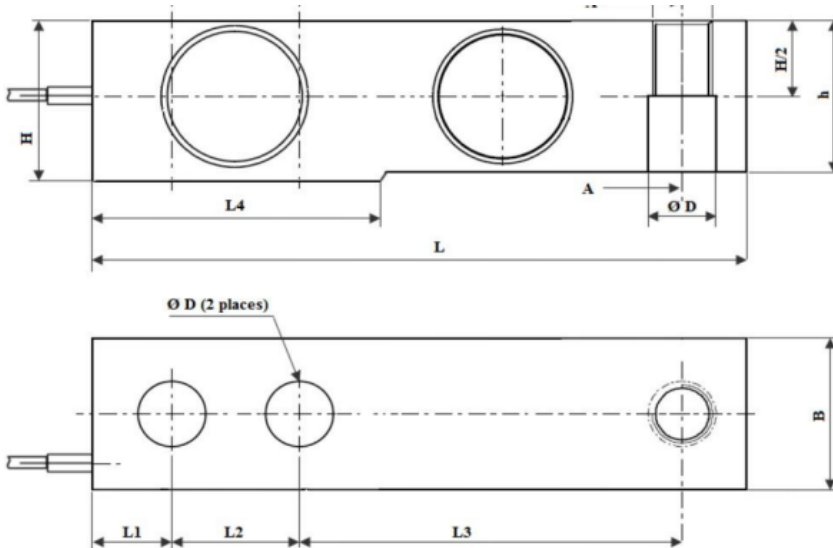
Specifications

Output sensitivity (=FS)	mV/V	3±0.08
Maximum Capacity (Emax)	t	0.5, 1, 1.5, 2, 2.5, 3, 3.5, 5, 7.5,10
Minimum Dead Load	Of Emax	0%
Safe Overload	Of Emax	150%
Ultimate Overload	Of Emax	300%
Zero Balance	Of Fs	<±1.0%
Excitation, Recommended Voltage	V	5~12
Excitation maximum	V	18
Input resistance	Ω	350±3.5
Output resistance	Ω	350±3.5
Insulation resistance	MΩ	≥ 5000 (at 50VDC)
Compensated temperature	°C	-10~+40
Operating Temperature	°C	-35~+65
Storage Temperature	°C	-40~+75
Element Material		Stainless Steel
Ingress Protection (acc. To EN		IP68

Dimension Capacity	L	L1	L2	L3	L4	B	H	h	ØD	ØD1	ød1	ød2	H2	H3	H4	M
0.5t	130	15.7	25.4	76.2	57.1	31.3	31.3	24.8	13.5	18	4	2	14.5	15.8	4.8	M12
1t	130	15.7	25.4	76.2	57.1	31.3	31.3	26	13.5	18	4	2	14.5	15.8	4.8	M12
1.5t - 2t	130	15.7	25.4	76.2	57.1	31.3	31.3	28	13.5	18	4	2	14.5	15.8	4.8	M12
2.5t - 5t	171	19	38.1	95.2	76.2	36.8	36.8	34.8	20.5	25	4	2	14.5	15.8	4.8	M20
7.5t - 10t	222	25.4	50.8	120.7	101.6	49.5	49.5	47.5	26.9	-	-	-	-	-	-	M24

Other Capacities (Shear)

Option W6 Dimensions Loading Hole



Wiring Code

- Shielded, 4 conductor cable.
- Cable diameter : 5mm.
- Standard cable length: 6m.
- Shield not connected to element.

4-wire diagram

