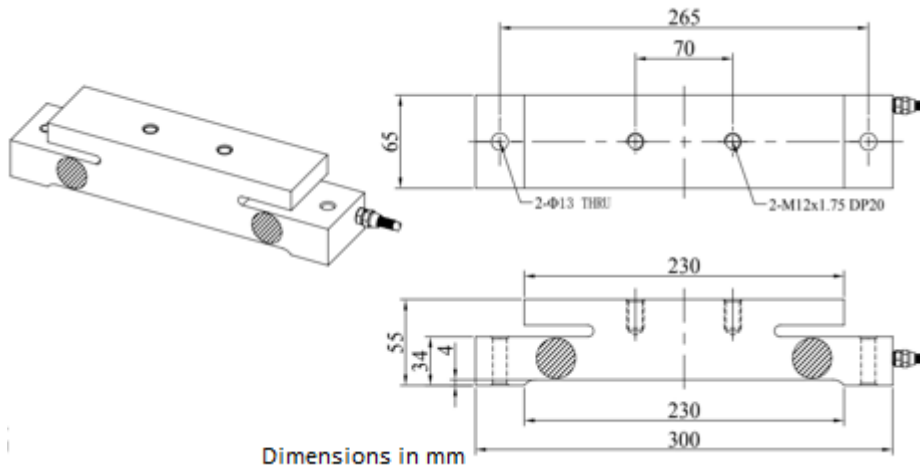


# CLC1500 Caravan Load Cells



## Features

Capacity: 1500kg

Accuracy: 0.1%

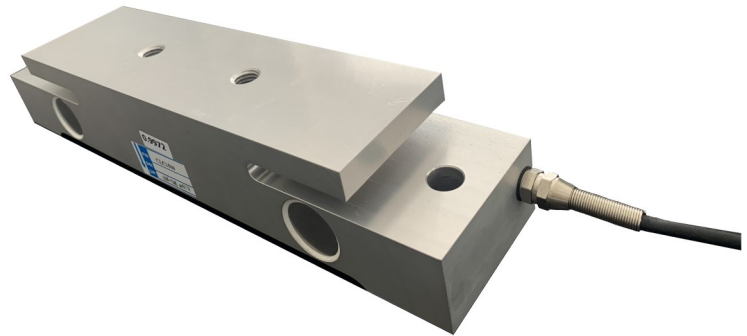
Aircraft quality Aluminium body, IP67 sealing

Low profile (55mm height)

230mm long weighing length

## Applications

- Vehicle Wheel weighing
- Caravan weighing
- Campervan weighing



## Specifications

Capacity (kg)	1500kg	Insulation Resistance (MΩ)	> 5000
Rated Output/RO (mV/V)	1 +/- 0.1	Recommended Excitation (V)	5-15
Zero Balance (mV/V)	±2%	Maximum Excitation (V)	18
Non-Linearity (%RO)	0.07 %	Compensated Temp Range (°C)	-10~+50
Hysteresis (%RO)	< 0.05%	Operating Temp Range (°C)	-20~+60
Repeatability (%RO)	< 0.05%	Safe Overload (%RO)	150
Creep (%RO/30min)	< 0.05%	Ultimate Overload (%RO)	300
Temp effect on output (%RO/10°C)	< 0.015 %	Cable Size (mm)	Ø5mm
Temp effect on zero (%RO/10°C)	< 0.020%	Cable Length (m)	3
Input Impedance (Ω)	770+/-50 Ω	Material	Aluminium
Output Impedance (Ω)	700+/- 15 Ω	Protection Class	IP67
Excitation +ve	Red	Signal +ve	Green
Excitation -ve	Black	Signal -ve	White