



Hand in hand for tomorrow



Product data sheet

Force/torque sensor FTS 105

FTS

Force/torque sensor

Precise. Compact. High resolution.

6-axis force/torque sensor FTS

For high-precision measurement in the degrees of freedom Fxyz and Mxyz

Field of application

6-axis force/torque sensors are used to carry out precise measurements of forces and moments in all three spatial directions. They are used in robotics to monitor and control the interaction between robots and their environment, as well as in industrial automation for quality control and process monitoring. They are also used in biomechanics and medical technology to analyze motion sequences and optimize prosthetic systems.



Advantages – Your benefits

Maximum precision The strain gauges of the 6-axis force/torque sensor record the mechanical deformation of the sensor body and convert this into high-precision signals in all six degrees of freedom (Fx, Fy, Fz, Mx, My, Mz)

Reliable protection Suitable for use in demanding environments thanks to protection class IP67

Seamless integration The Interface Box with EtherNet/IP, EtherCAT and PROFINET interfaces enables simple and flexible connection to customer network topologies

Intuitive commissioning The SCHUNK Control Center simplifies commissioning with a user-friendly interface and creates synergies with other SCHUNK products

Visual condition monitoring Integrated LEDs for power, communication, and sensor status facilitate status monitoring

Robust base body The high rigidity ensures high measuring accuracy and durability, even in dynamic applications



Sizes
Quantity: 7



Range of force
measurement Fx/Fy
±125 .. 5000 N



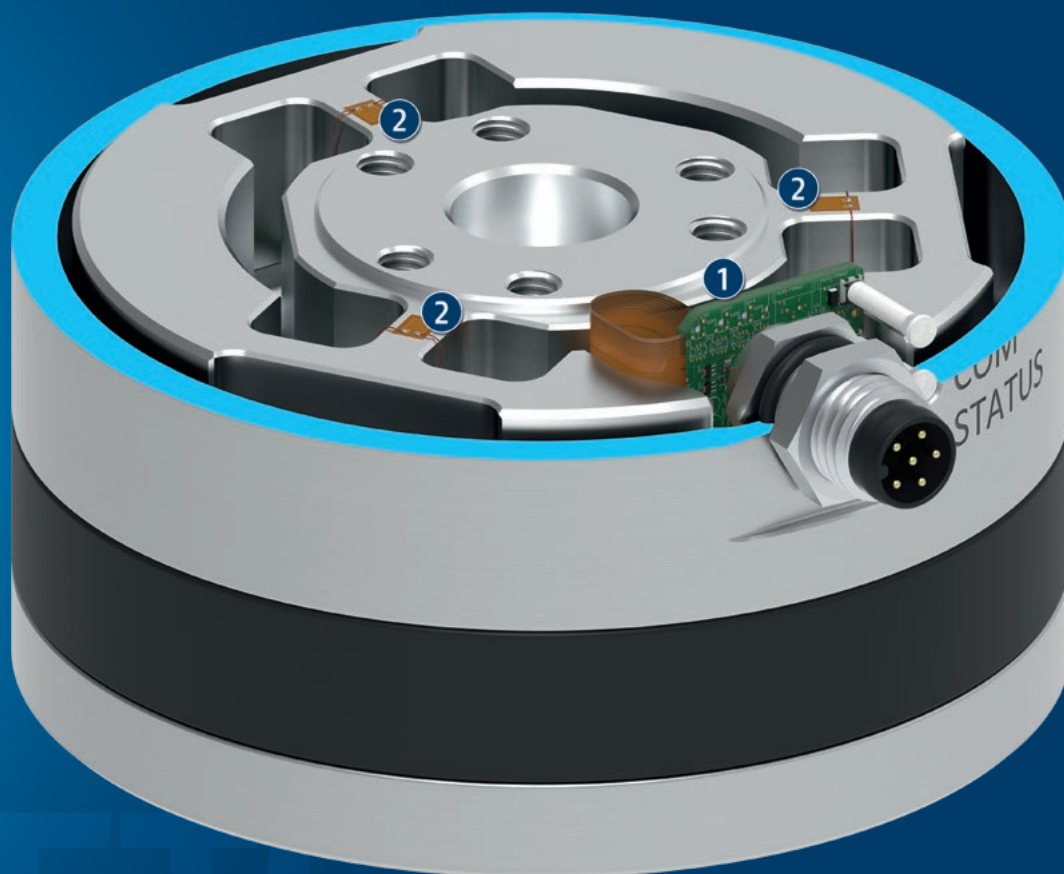
Range of force
measurement Fz
±300 .. 12500 N



Measuring range of
moment load
±4.5 .. 700 Nm

Functional description

The strain gauges (DMS) of the 6-axis force/torque sensor measure the loads applied in all six degrees of freedom (F_x , F_y , F_z , M_x , M_y , and M_z). The DMS signals are amplified in the sensor.



① **Electronics**
no interfering contour, as integrated in the housing

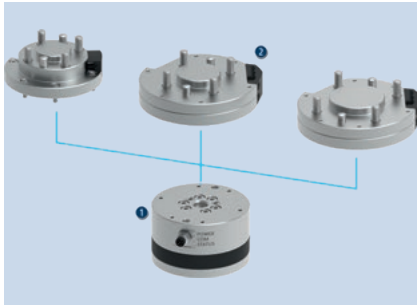
② **Foil strain gauges**
in combination with low-noise signal processing, they ensure high resolution and signal quality.

FTS

Force/torque sensor

Detailed functional description

Standard adapter plates



We offer 3 suitable standard adapter plates for suitable ISO 9409 interfaces for each sensor size.

- 1 6-axis force/torque sensor FTS
- 2 Adapter plates as per DIN ISO 9409

Connectivity



The large number of interfaces offers an excellent opportunity for flexible integration into the customer's control systems.

Commissioning app in the SCHUNK control center



The SCHUNK Control Center ensures simple commissioning, parameterization, and diagnosis of the FTS sensor system. Users can visualize and save measurement data directly. The sensor coordinate system can be moved to the desired tool center point and load limits can also be defined. Moreover, the functions include network configuration, firmware updates, parameter adjustments, and backups as well as comprehensive diagnostic options. The app is compatible with Windows and can be downloaded at schunk.com/downloads-software.

Interface Box FTS IFB



The Interface Box is optionally available in IP 67. Depending on the firmware variant, the Interface Box can communicate via one of the following interfaces: PROFINET, EtherCAT, EtherNet/IP™, Ethernet (TCP/UDP).

- 1 Interface Box FTS IFB
- 2 Interface box FTS IFB-IP67

General notes about the series

Measuring accuracy: < 1% of the upper limit value of the measuring range at 22 °C

Splash water protection: IP67 as standard

Housing: Aluminum and stainless steel

Warranty: 24 months

Harsh environmental conditions: Please note that use under harsh environmental conditions (e.g. in the coolant area, cast and grinding dust) can considerably reduce the service life of the units, and we will not take over any warranty. However, in many cases we can find a solution. Please contact us for assistance.

Handling weight: is the weight of the total load attached to the flange. When designing, the permissible forces and moments have to be paid attention to. Please note that exceeding the recommended handling weight will shorten the lifespan.



Application example

In haptics measurement, the FTS 6-axis force/torque sensor is used to analyze the interaction between an object and its environment. The sensor is either integrated directly into a measuring device or used in conjunction with a robot arm, which ensures precise movements and pressure exertion.

- ❶ 6-axis force/torque sensor FTS
- ❷ Universal gripper EGU

SCHUNK offers more ...

The following components make the product even more productive – the suitable addition for the highest functionality, flexibility, reliability, and controlled production.



Adapter plate on ISO flange



Sensor cables



Interface Box FTS IFB

① For more information on these products can be found on the following product pages or at schunk.com.

Display deviation & crosstalk

The display deviation or the max. relative deviation of the displayed measured value describes the deviation of the displayed force or the displayed moment from the true load applied. It mainly consists of linearity errors and cross-talk between the individual channels. SCHUNK FTS sensors achieve a max. relative deviation of $\leq 1.0\%$ in relation to the measuring range end value (full-scale, f. s.).

Display resolution & saturation

The resolution is the smallest change in the load that represents a change in the output values of the measured forces and moments. The smaller the resolution of an FTS sensor, the greater the sensitivity of the sensor. This is important when the application requires a "tactile sense." The resolution of the sensor depends on the ambient conditions during the measurement, and in particular on the selected sampling rate and filtering.

	F _x	F _y	F _z	M _x	M _y	M _z
relative deviation	<1.0%f.s.	<1.0%f.s.	<1.0%f.s.	<1.0%f.s.	<1.0%f.s.	<1.0%f.s.

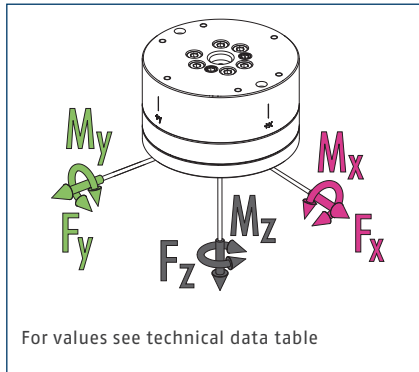
Ordering example

	FTS	056	-	600	-	11
Description	FTS					
O.D.-Diameter	047 = \emptyset 47 mm 056 = \emptyset 56 mm 070 = \emptyset 70 mm 085 = \emptyset 85 mm 105 = \emptyset 105 mm 125 = \emptyset 125 mm 160 = \emptyset 160 mm					
Measuring range Fz	300 = 300 N 600 = 600 N 1200 = 1200 N 2400 = 2400 N 4800 = 4800 N 7800 = 7800 N 12500 = 12500 N					
Measuring range Mx, My, Mz	4 = 4 Nm 11 = 11 Nm 28 = 28 Nm 70 = 70 Nm 175 = 175 Nm 350 = 350 Nm 700 = 700 Nm					

FTS 105

Force/torque sensor

Dimensions and maximum loads

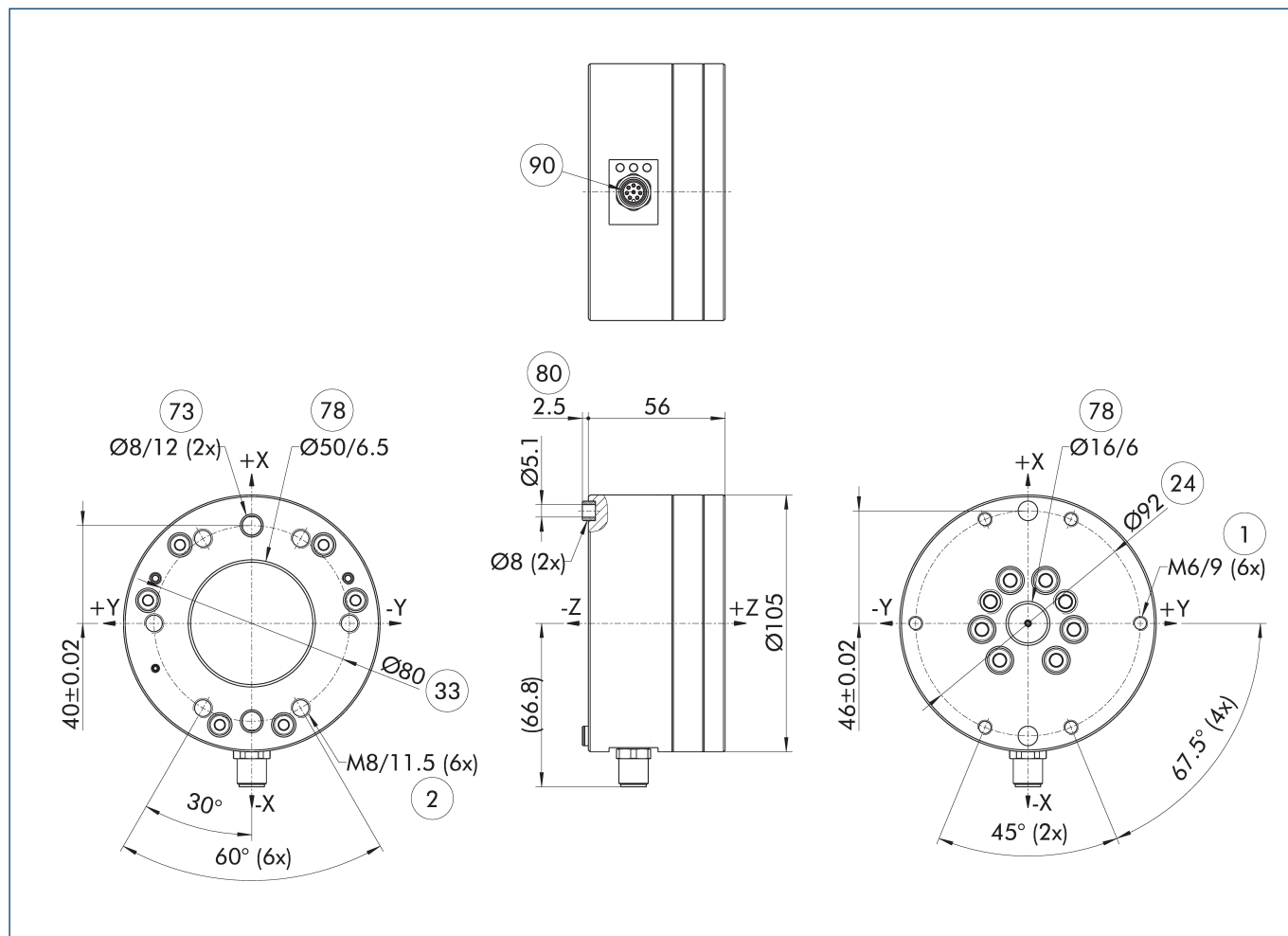


- ⓘ All forces and torques acting on the sensor must be within the specified measurement range. Exceeding the measurement range will reduce the maximum number of load cycles and may lead to damage of the sensor. Please contact us if your application exceeds the measurement range.

Technical data

Description		FTS 105-4800-175
ID		1598249
Weight	[kg]	1.5
IP protection class		67
Measuring range Fx, Fy	[N]	±2000
Measuring range Fz	[N]	±4800
Measuring range Mx, My	[Nm]	±175
Measuring range Mz	[Nm]	±175
Resolution Fx, Fy	[N]	0.1
Resolution Fz	[N]	0.192
Resolution Mx, My	[Nm]	0.007
Resolution Mz	[Nm]	0.00525
Relative display deviation in relation to the measuring range		<1,0 %-fs
max. display deviation Fx, Fy	[N]	20
max. display deviation Fz	[N]	48
max. display deviation Mx, My, Mz	[Nm]	1.75
max. sampling rate	[Hz]	1000
Max. output rate (UDP)	[Hz]	2000
Information on accessories		In addition to the FTS sensor, a connection cable and interface box are required

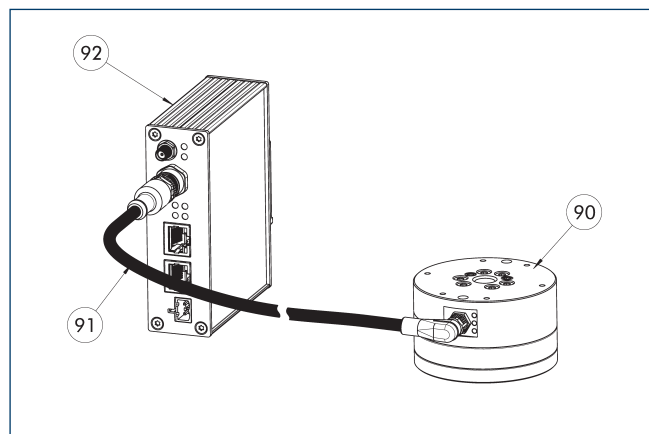
Main view



The main view shows the unit in its basic version.

- ① Robot-side connection
- ② Tool-side connection
- ④ Bolt circle
- ③ DIN ISO-9409 bolt circle
- ⑦ Fit for centering pins
- ⑧ Fit for centering
- ⑧ Depth of the centering sleeve hole in the counter part
- ⑨ M12 connector, A-coded, 8-pin

Sensor system

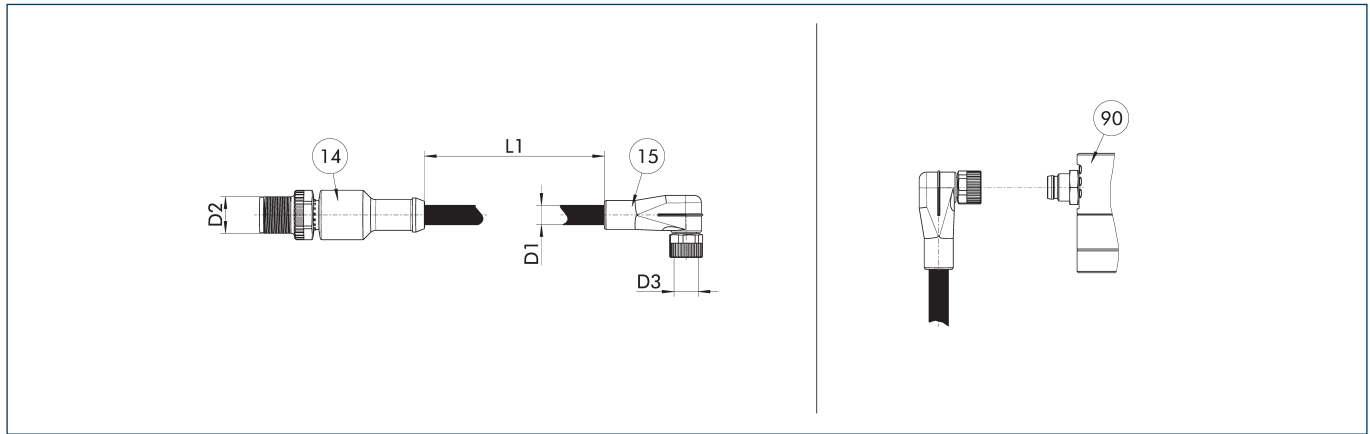


- ⑨ 6-axis force/torque sensor FTS
- ⑨ Interface Box FTS IFB or Interface Box FTS IFB IP 67
- ⑨ Sensor cables

FTS 105

Force/torque sensor

Sensor cables



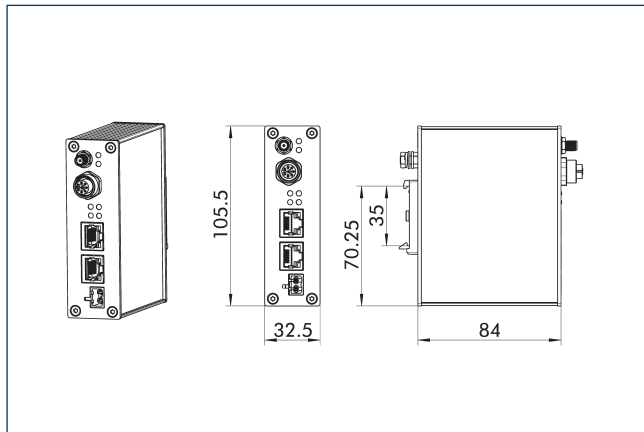
Sensor cable that connects the FTS sensor to the Interface Box.

- ⑭ Connector
- ⑮ Socket

⑨⑩ 6-axis force/torque sensor FTS

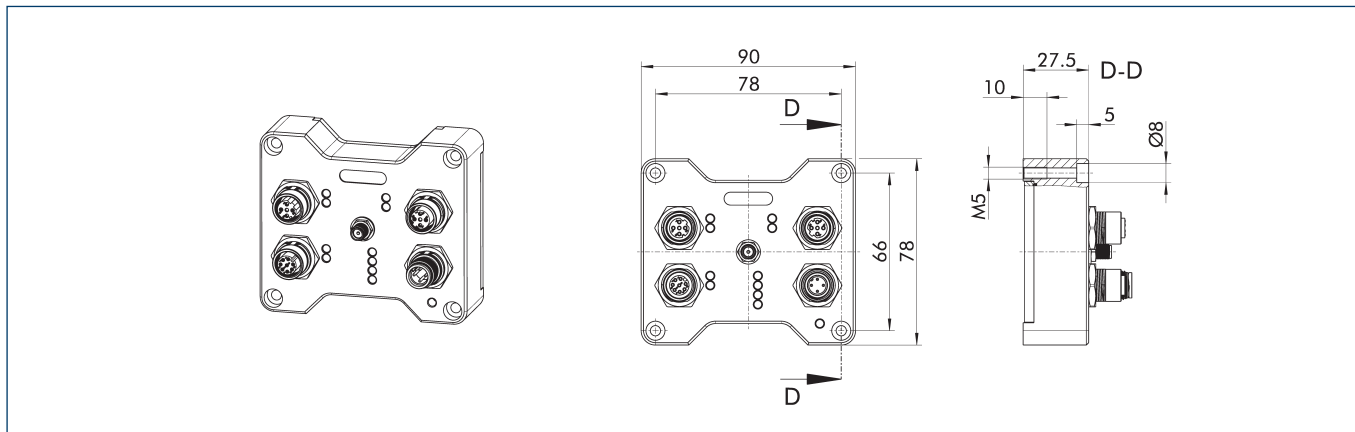
Description	ID	Cable length L1	Cable diameter D1	Connection on control cabinet side D2	Connection on sensor side D3
		[m]	[mm]		
Communication cables					
FTS C-M12-M12-10	1608057	10	6	M12	M12
FTS C-M12-M12-15	1608059	15	6	M12	M12
FTS C-M12-M12-2	1620906	2	6	M12	M12
FTS C-M12-M12-30	1608071	30	6	M12	M12
FTS C-M12-M12-5	1608055	5	6	M12	M12

Interface Box FTS IFB



Description	ID	Communication interface
Interface box		
FTS IFB-EC	1603604	EtherCAT
FTS IFB-EI	1603602	EtherNet/IP
FTS IFB-EN	1651726	Ethernet (TCP/UDP)
FTS IFB-PN	1603600	PROFINET

Interface box FTS IFB-IP67

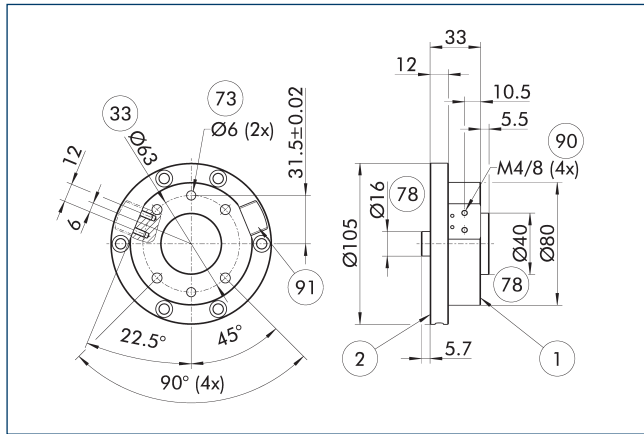


Description	ID	Communication interface	IP protection class	Cable length [m]
Interface box				
FTS IFB-EC-IP67	1603606	EtherCAT	67	
FTS IFB-EI-IP67	1603603	EtherNet/IP	67	
FTS IFB-EN-IP67	1651748	Ethernet (TCP/UDP)	67	
FTS IFB-PN-IP67	1603601	PROFINET	67	
EtherCAT connection cable star distributor M12 D-coded socket, straight; on M8 A-coded connector, straight				
KA GGN12D04-08A04-ET-00020-A	1521990			0.2
Communication cable suitable for drag chain M12 connector, straight – to M12 connector, straight				
KA GGN12D04-12D04-ET-00500-A	1505114			5
KA GGN12D04-12D04-ET-01000-A	1505119			10
Communication cable suitable for drag chain M12 connector, straight – to RJ45 connector, straight				
KA GGN12D04-RJ45-ET-00200-A	1511256			2
KA GGN12D04-RJ45-ET-00500-A	1354681			5
KA GGN12D04-RJ45-ET-01000-A	1505143			10
Communication cable suitable for drag chain M12 connector, angled – to M12 connector, straight				
KA WGN12D04-12D04-ET-00500-A	1354661			5
KA WGN12D04-12D04-ET-01000-A	1505141			10
Communication cable suitable for drag chain M12 connector, angled – to RJ45 connector, straight				
KA WGN12D04-RJ45-ET-00500-A	1354688			5
KA WGN12D04-RJ45-ET-01000-A	1505142			10
Communication cable suitable for torsion-resistant M12 connector, straight – to M12 connector, straight				
KAR GGN12D04-12D04-ET-00500-A	1505146			5
KAR GGN12D04-12D04-ET-01000-A	1505147			10
Communication cable suitable for torsion-resistant M12 connector, straight – to RJ45 connector, straight				
KAR GGN12D04-RJ45-ET-00500-A	1354677			5
KAR GGN12D04-RJ45-ET-01000-A	1505160			10
Communication cable suitable for torsion-resistant M12 connector, angled – to M12 connector, straight				
KAR WGN12D04-12D04-ET-00500-A	1354674			5
KAR WGN12D04-12D04-ET-01000-A	1505148			10
Communication cable suitable for torsion-resistant M12 connector, angled – to RJ45 connector, straight				
KAR WGN12D04-RJ45-ET-00500-A	1354692			5
KAR WGN12D04-RJ45-ET-01000-A	1505149			10
Power cable – cable track compatible				
KA GLN1204-LK-00200-K	0349270			2
KA GLN1204-LK-00500-K	0349271			5
KA GLN1204-LK-01000-K	0349272			10
KA GLN1204-LK-01500-K	0349273			15

FTS 105

Force/torque sensor

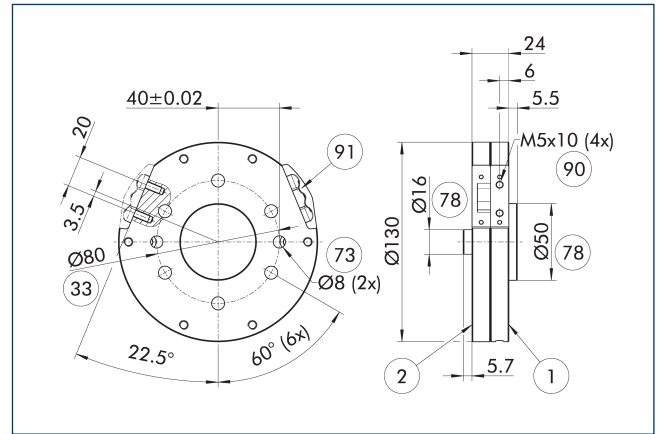
Adapter plate A-IS0063/FTS105



- ① Robot-side connection
- ② Tool-side connection
- ③③ DIN ISO-9409 bolt circle
- ⑦③ Fit for centering pins
- ⑦⑧ Fit for centering
- ⑨⑦⑧ mounting option provided by the customer
- ⑨① Strain relief

Description	ID	
Adapter plate		
A-IS0063/FTS105	1610495	

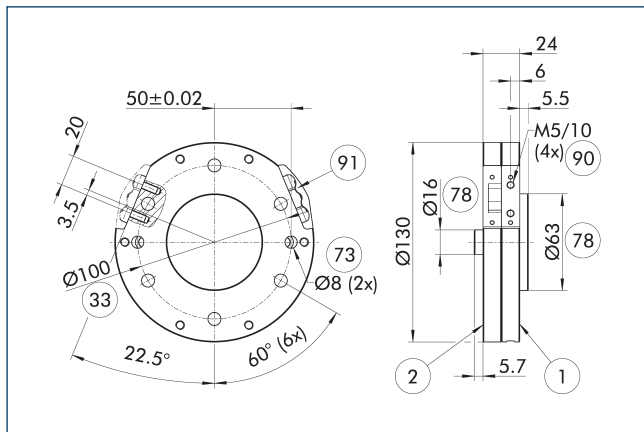
Adapter plate A-IS0080/FTS105



- ① Robot-side connection
- ② Tool-side connection
- ③③ DIN ISO-9409 bolt circle
- ⑦③ Fit for centering pins
- ⑦⑧ Fit for centering
- ⑨⑦⑧ mounting option provided by the customer
- ⑨① Strain relief

Description	ID	
Adapter plate		
A-IS0080/FTS105	1610496	

Adapter plate A-IS0100/FTS105



- ① Robot-side connection
- ② Tool-side connection
- ③③ DIN ISO-9409 bolt circle
- ⑦③ Fit for centering pins
- ⑦⑧ Fit for centering
- ⑨⑦⑧ mounting option provided by the customer
- ⑨① Strain relief

Description	ID	
Adapter plate		
A-IS0100/FTS105	1610497	



SCHUNK SE & Co. KG

Spanntechnik

Greiftechnik

Automatisierungstechnik

Bahnhofstr. 106 - 134

D-74348 Lauffen/Neckar

Tel. +49-7133-103-0

Fax +49-7133-103-2399

info@de.schunk.com

schunk.com

Folgen Sie uns | *Follow us*

