



LCSB Shear Beam Standard Square Shear Beam



GENERAL FEATURES

- Alloy tool steel, nickel plated for protection.
- Protective cover plates
- Capacities 100kg to 10000kg
- Standard sizes compatible with PT5100, LCSB and many other manufactures
- Easy fixing
- Standard mounting options

APPLICATIONS

- Hoppers, silos, tanks
- Platform scales
- Process weighing applications
- General industrial weighing applications
- Agricultural applications

... Azure Signature Series!

The PT LCSB is a alloy steel beam load cell suitable for a wide range of applications requiring a cost effective weighing solution.

The dimensions of the LCSB enable compatibility with many industry standard square beams from numerous manufactures, including the PT5100 and PT5000, conveniently providing replacements and upgrades.

Available in 10 capacities from 100kg to 10000kg with 4 or 6 metres of 4 core cable, every load cell is precision tested and verified to meet exact requirements.

To complement the LCSB a wide range of mounting accessories, junction boxes, transmitters and displays are available.



Specifications

Signal Output at Capacity.....	3±0.25% mV/V	Service Load.....	100% Capacity
Linearity Error.....	< 0.020% FSO	Safe Load.....	150% Capacity
Non-Repeatability.....	< 0.010% FSO	Safe Side Load.....	100% Capacity
Combined Error.....	< 0.030% FSO	Ultimate Load.....	300% Capacity
Hysteresis.....	< 0.030% FSO	Input Resistance.....	350Ω ± 3Ω
Creep/(30 mins.).....	< 0.030% FSO	Output Resistance.....	350Ω ± 3Ω
Zero Balance.....	< 1 % Capacity	Insulation Resistance.....	> 5000 MΩ (@50 VDC)
Temperature Effect on Span(/10C).....	< 0.020% FSO	Excitation Voltage(Rec).....	5~15 V AC/DC
Temperature Effect on Zero(/10C).....	< 0.020% Cap.	Excitation Voltage(Max.).....	18 V AC/DC
Operating Temperature Range.....	-35 ~ +70 C	Cable.....	Dia. 5.0 mm, see below.
Storage Temperature Range.....	-50 ~ +85 C	Material.....	Alloy tool steel
Excitation +ve.....	RED	Excitation -ve.....	Black
Signal +ve.....	GREEN	Signal -ve.....	White

- Cable is 4 core screened, PUR jacketed. Length 4m 100-2000kg, length 6m 2500-10000kg.
- The 100kg and 250kg models are of bending beam construction.
- FSO, at Full Scale Output; Cap., at Capacity.
- Construction is nickel plated alloy steel. Capacities 500-10000kg sealed to IP67, 100-250kg sealed to IP65.
- Reverse the signal wire connection when mounting the load cell upside down.



ESTABLISHED
IN
1979



PT Limited

2/7 Marken Place, Glenfield, Auckland 0627, New Zealand
PO Box 102041 NSMC, Auckland 0745. Ph.+64 9 444 4312

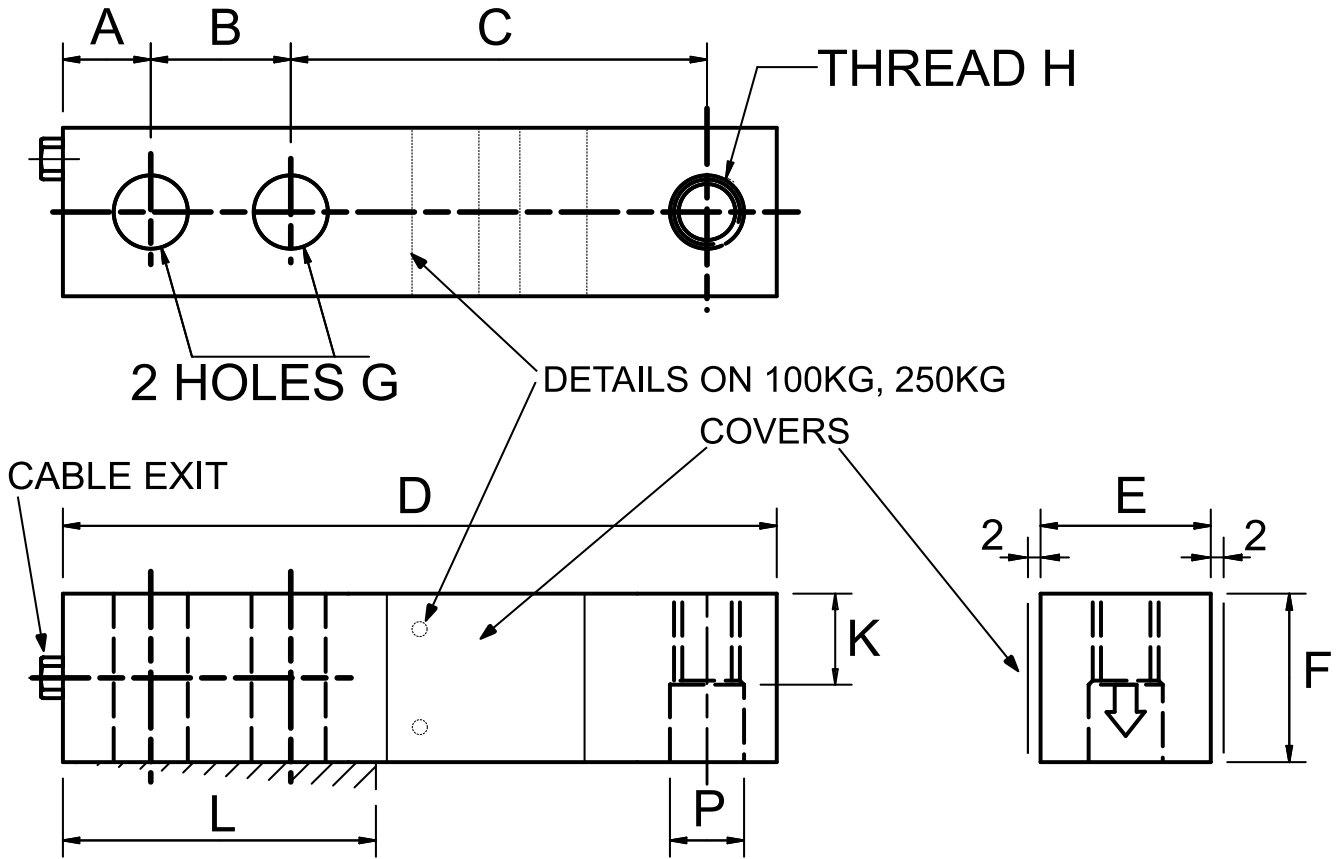
www.ptglobal.com



BETTER VALUE BY DESIGN

DIMENSIONS

Dimensions below in mm.



With the symmetrical square shape the LCSB can be mounted upside down and loaded in reverse, taking care to reverse the signal wires also, so the thread can be top side or bottom side.

Dimensions, units in mm and kg.

Capacity	Order	A	B	C	D	E	F	G	H	K	L	P	Weight(kg)
100kg	LSB0100T000XXX	15.8	25.4	76.2	130.0	31.8	31.8	13.5	M12 x 1.75P	16.0	57.2	13.5	0.9
250kg	LSB0250T000XXX	15.8	25.4	76.2	130.0	31.8	31.8	13.5	M12 x 1.75P	16.0	57.2	13.5	0.9
500kg	LSB0500T000XXX	15.8	25.4	76.2	130.0	31.8	31.8	13.5	M12 x 1.75P	16.0	57.2	13.5	0.9
1000kg	LSB1000T000XXX	15.8	25.4	76.2	130.0	31.8	31.8	13.5	M12 x 1.75P	16.0	57.2	13.5	0.9
1500kg	LSB1500T000XXX	15.8	25.4	76.2	130.0	31.8	31.8	13.5	M12 x 1.75P	16.0	57.2	13.5	0.9
2000kg	LSB2000T000XXX	15.8	25.4	76.2	130.0	31.8	31.8	13.5	M12 x 1.75P	16.0	57.2	13.5	0.9
2500kg	LSB2500T000XXX	19.1	38.1	95.3	171.5	38.1	38.1	19.8	M18 x 1.5P	19.0	76.2	19.8	1.9
3000kg	LSB3000T000XXX	19.1	38.1	95.3	171.5	38.1	38.1	19.8	M18 x 1.5P	19.0	76.2	19.8	1.9
5000kg	LSB5000T000XXX	19.1	38.1	95.3	171.5	38.1	38.1	19.8	M18 x 1.5P	19.0	76.2	19.8	1.9
10000kg	LSB010TT000XXX	25.4	50.8	120.7	222.3	50.8	50.8	26.9	M24 x 2.0P	25.4	101.6	26.0	4.4



ESTABLISHED
IN
1979



PT Limited

2/7 Marken Place, Glenfield, Auckland 0627, New Zealand
PO Box 102041 NSMC, Auckland 0745. Ph.+64 9 444 4312
www.ptglobal.com

