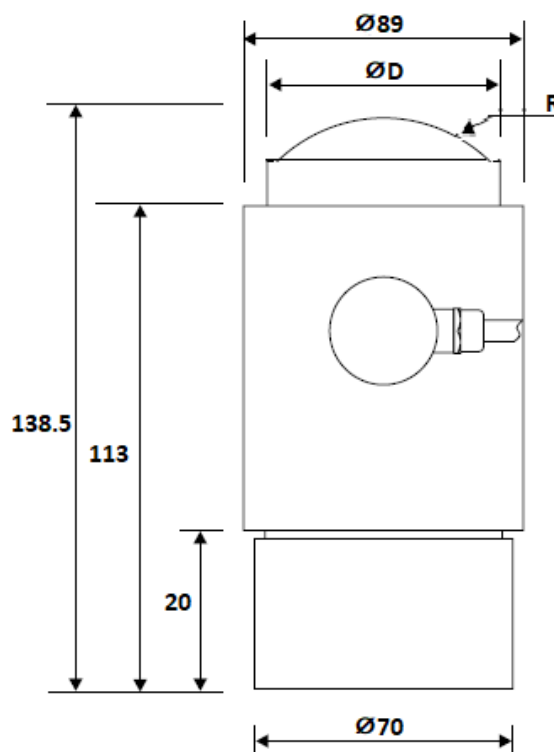


LS201 Compression Load cell



Features

- Stainless Steel
- IP68 Protection
- Compression type
- Rocking Pendulum design
- 2mV/V signal
- Self Aligning top button
- Compact design
- Ideal for Tanks, Hoppers and Silos

Capacity	D	R (Spherical Radius)
5 & 10t	34	15
20 to 50t	56	35

Specifications

Capacity (t)	5, 10, 20, 30, 40 and 50t
Rated Output/RO (mV/V)	2mV/V \pm 1%
Zero Balance (mV/V)	< 1.00 % Capacity
Non-Linearity (%RO)	< 0.035% FSO
Hysteresis (%RO)	< 0.03% FSO
Repeatability (%RO)	< 0.020% FSO
Creep (%RO/30min)	< 0.025% FSO
Temp effect on output (%RO/10°C)	< 0.012% FSO
Temp effect on zero (%RO/10°C)	< 0.020% Capacity
Input Impedance (Ω)	650 Ω \pm 15 Ω Nominal
Output Impedance (Ω)	610 Ω \pm 10 Ω Nominal
Excitation +ve	Red
Excitation -ve	Black

Insulation Resistance (M Ω)	> 5000 M Ω at 50V DC
Recommended Excitation (V)	5 ~ 12V
Maximum Excitation (V)	20 V
Compensated Temp Range (°C)	-10 ~ 50° C
Operating Temp Range (°C)	-35 ~ 65° C
Safe Overload (%RO)	150
Ultimate Overload (%RO)	300
Cable Size (mm)	\varnothing 5.2x12000 (12m)
Cable Length (m)	12
Material	Stainless Steel (Welded)
Protection Class	IP68
Signal +ve	Green
Signal -ve	White