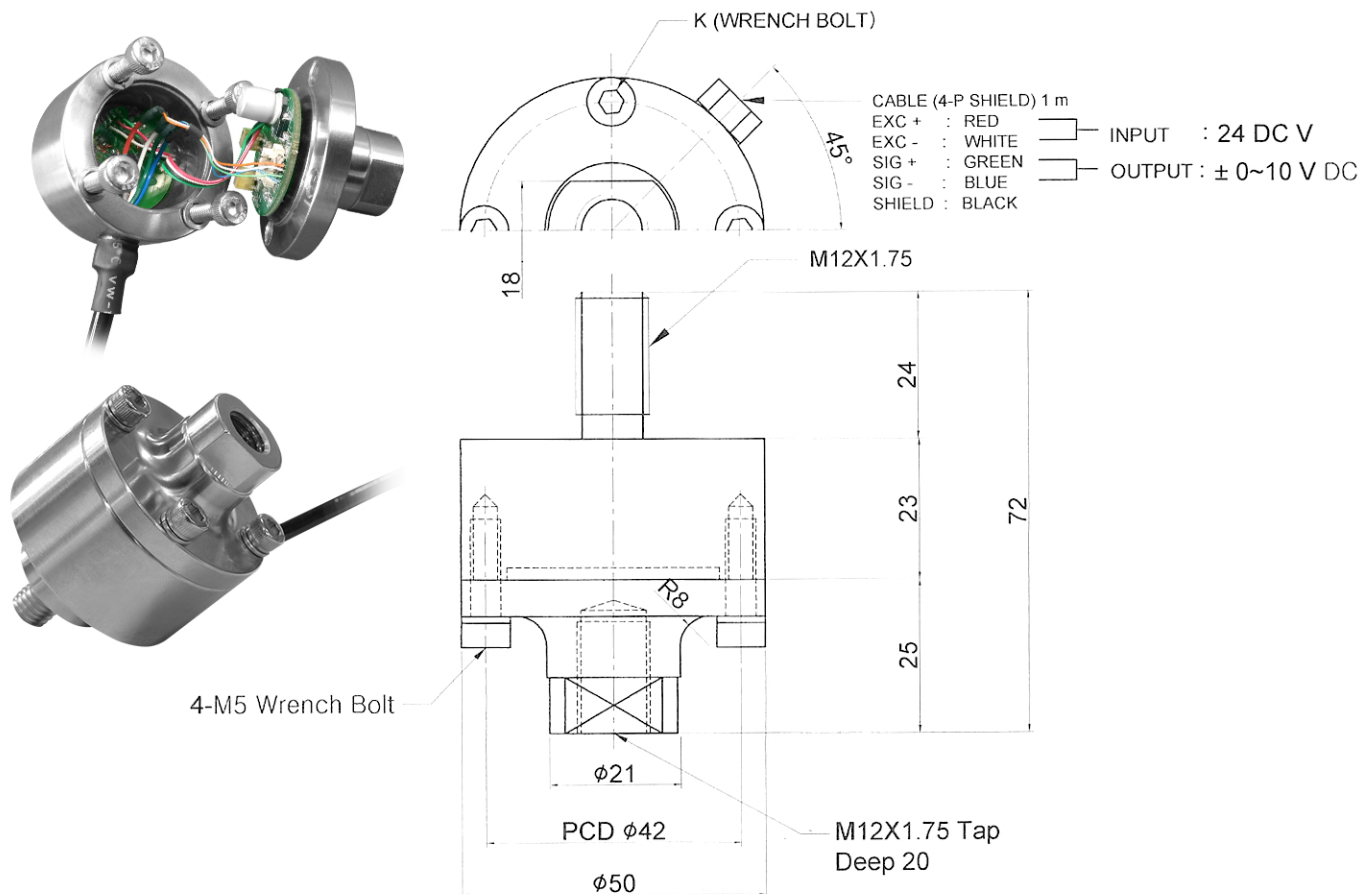


Model : LUGB-D ( Amplifier PCB Module Type)



Material : Cr. Coating Finished Steel (SNCM 439)

Capacity	kgf	100, 200, 500, 1000
Rated Output	mv/v( DC V)	2.0 ± 0.2 % (± 0~10)
Zero Balance	% R.O.	± 1.0
Nonlinearity	% R.O.	0.05
Hysteresis	% R.O.	0.05
Temperature on Zero	% R.O./10°C	0.05
Temperature on Output	% R.O./10°C	0.05
Excitation Recommended	V DC	10
Excitation Maximum	V DC	15
Input Resistance	Ohms	399 ± 10%
Output Resistance	Ohms	350 ± 1 %