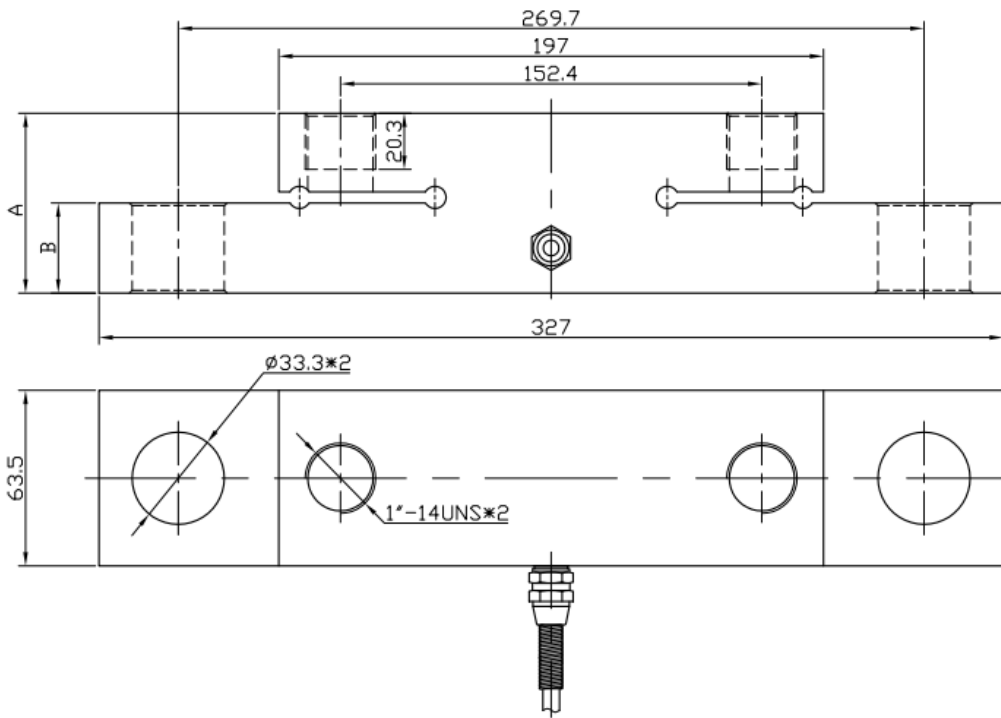


Onboard Vehicle Weighing (OVW) Load Cell



Capacity (t)	A	B
10	62mm	29.6mm
15	65mm	32.6mm

Specifications

Capacity (t)	10, 15	Insulation (M Ω)	≥ 5000 @ VDC
Rated Output/RO (mV/V)	1.25 ± 0.01	Recommended Excitation (V)	10~12
Zero Balance (mV/V)	$\pm 2\% \text{FS of RO}$	Maximum Excitation (V)	15
Non-Linearity (%RO)	0.2	Compensated Temp Range (°C)	-10~+60
Hysteresis (%RO)	0.1	Operating Temp Range (°C)	-30~+70
Repeatability (%RO)	0.1	Safe Overload (%RO)	140
Creep (%RO/30min)	0.05	Ultimate Overload (%RO)	200
Temp effect on output (%RO/10°C)	0.05	Cable Size (mm)	$\phi 6 \times 10000$ (10m)
Temp effect on zero (%RO/10°C)	0.05	Cable Length (m)	10
Input Impedance (Ω)	400 ± 30	Material	Alloy Steel
Output Impedance (Ω)	352 ± 5	Protection Class	IP67