

General information

PWS620260415

The compression load cell 2000 is made of stainless steel and it has excellent characteristics of precision and robustness. Equipped with watertight protection, the 2000 load cell is resistant to the harshest environmental conditions, which are typical of applications in the food, chemical and pharmaceutical industries. Due to its size, it requires a limited assembly space. The load cell 2000 can be entirely customizable based on customers needs.



Suggested related products

A highly performing weighing system must be accurate, perfectly calibrated and well maintained. In order to improve the load cell performance and to optimize its functioning, you may need the following products:

Weight Transmitter [UWT 6008](#)

Weight Transmitter [DAT 1400](#)

Tester 1008 [TESTER 1008](#)

Compression load cell [CC3](#)

Junction Box [CGS4-C](#)

Compression load cell [Tedeia 220](#)

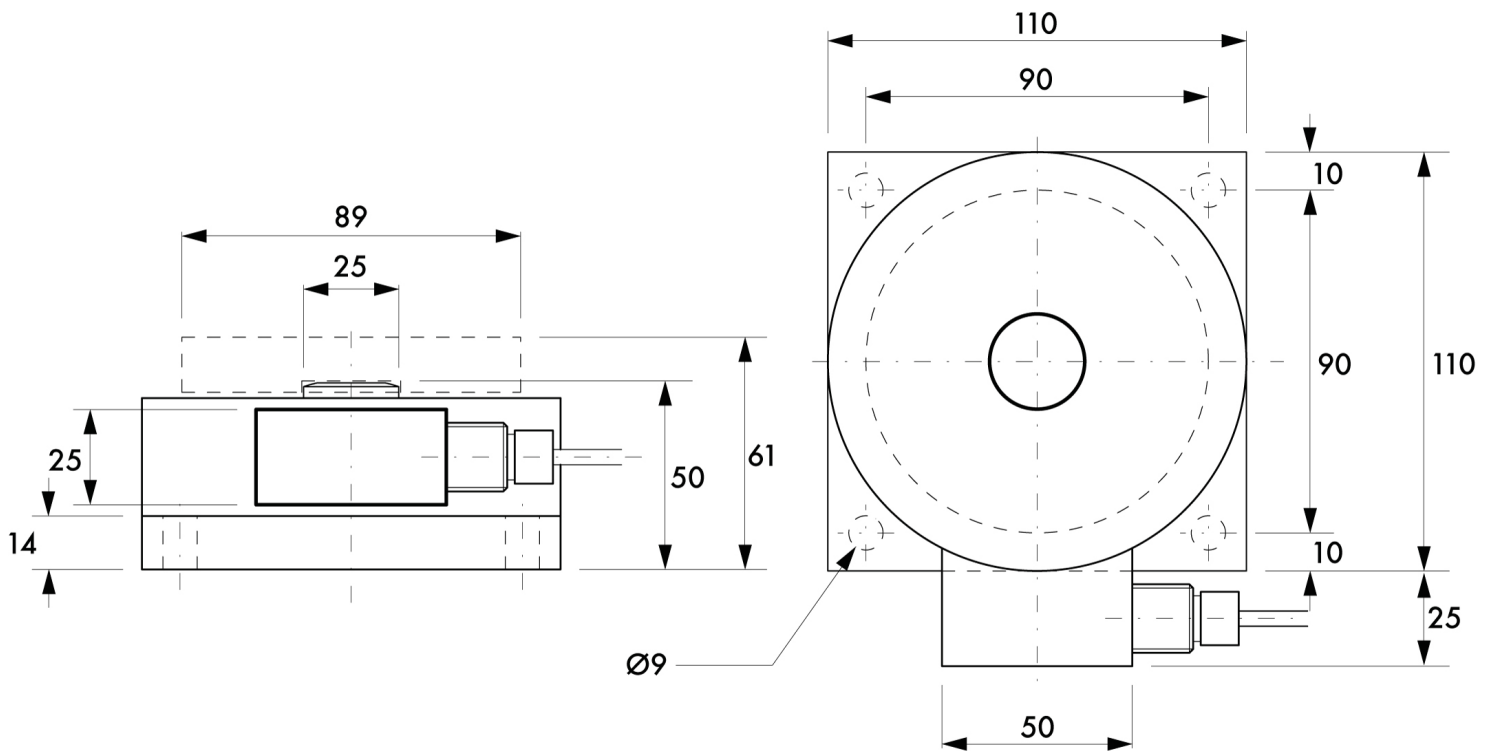
All indicated data may be changed without notice.
All the measures indicated are expressed in millimeters (mm).

Technical specifications

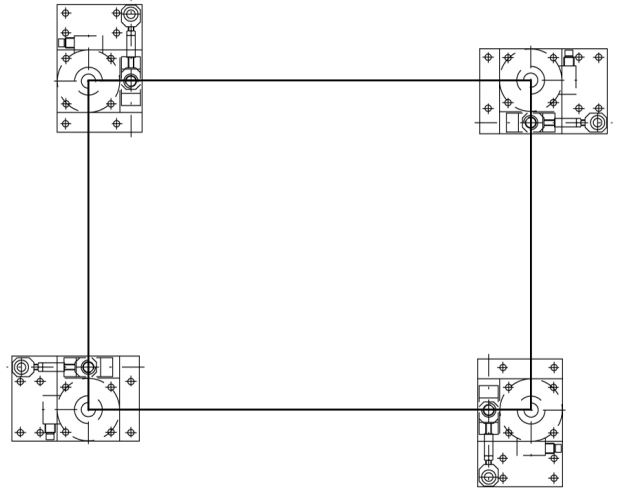
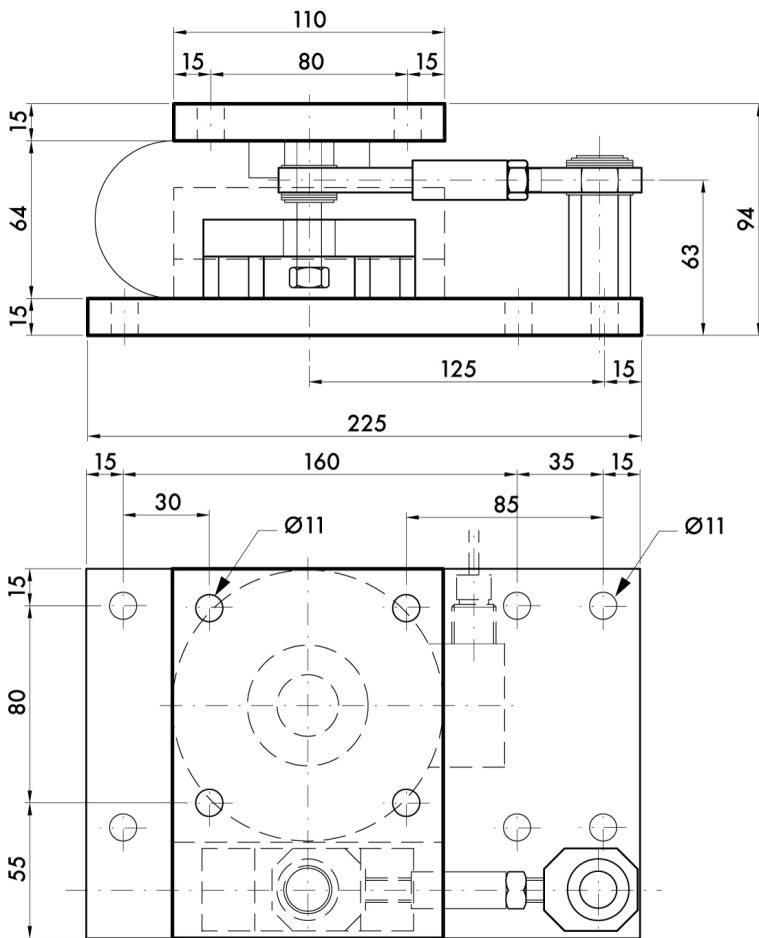
PWS620260415

Rated Load (RL):	2.5, 5, 10, 20, 30 t
Combined error:	±0.05 % RL
Repeatability:	±0.02 % RL
Creep (20 minutes):	±0.03 % RL
Safe overload:	150 % RL
Ultimate overload:	> 300 % RL
Material:	Stainless steel
Degree of protection:	IP67
Deflection:	< 0.3mm
Compensated Temperature:	-10 ÷ +50 °C
Temperature range:	-20 ÷ +70 °C
Temperature effect on zero balance:	±0.005 % RO/°C
Temperature effect on output:	±0.005 % load/°C
Rated output RO:	2 mV/V ±0.25 %
Zero balance:	±1 % RO
Insulation resistance:	> 5000 MOhm
Input resistance:	700 ±20 Ohm
Output resistance:	705 ±5 Ohm
Recommended input:	5 ÷ 15 Vdc/Vac

All indicated data may be changed without notice.
All the measures indicated are expressed in millimeters (mm).



All indicated data may be changed without notice.
 All the measures indicated are expressed in millimeters (mm).



All indicated data may be changed without notice.
 All the measures indicated are expressed in millimeters (mm).