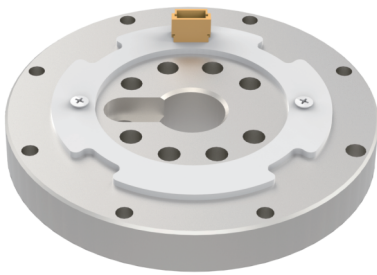


**X-ST207-B**



**Feature**

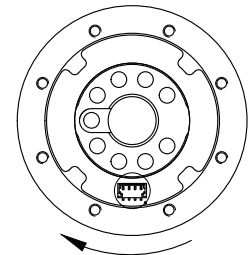
- ★ Various communication methods are available.
- ★ High sampling frequency, quick response, strong antiinterference ability.
- ★ High precision with the principle of resistance strain type.
- ★ Good temperature characteristics with self-compensated strain gauge.
- ★ Small size, thin thickness, high torsional rigidity and strong overload protection capacity.

Dimension and capacity can be customized by request.

**Technical specifications**

Capacity ( Optional )	45N.m	Material	Aluminum
Nonlinearity	≤0.5% F.S.	Communication	0.5V-2.5V-4.5V (-45N.m-0-45N.m)
Recommended excitation	5VDC	Compensated temp range	-10 ~ 40°C
Protection class	IP54	Operating temp range	-20 ~ 60°C
Hysteresis	≤0.5% F.S.	Creep (30min)	≤0.2% F.S.
Repeatability	≤0.5% F.S.	Safe load limit	200 % F.S.
Sampling frequency	≥300Hz	Temp effect on output	≤0.5% F.S. /10°C
Crosstalk axial force	110N	Temp effect on zero	≤0.5% F.S. /10°C
Crosstalk radial force	180N	Ultimate load limit	300 % F.S.
Crosstalk bending moment	20N.m	Cross-talk error	≤1% F.S.
Torsional Stiffness	40KN.m/rad	Pin assigment	Pin1:GND Pin2:5V Pin3:CH1 Pin4:NC

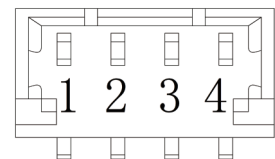
**Load direction**



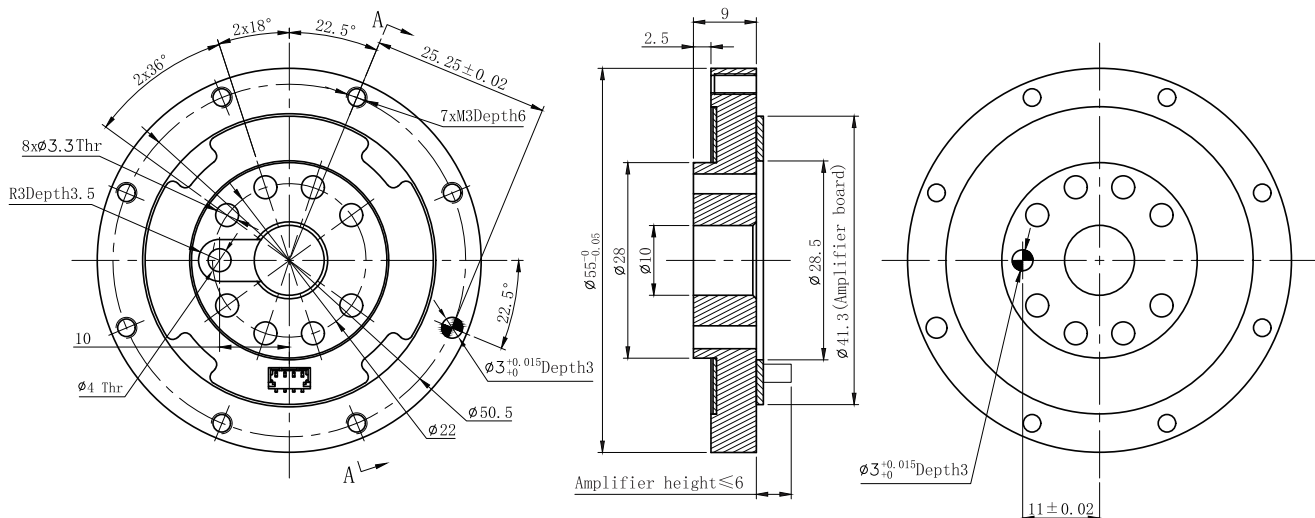
M+ (The inner ring is fixed, and the torque applied to the outer ring in the direction of the arrow is defined as positive.)

**Pin assigment**

Model:BM04B-SRSS-TB



**Dimensional Drawings (mm)**



**Applications**

It is suitable for force value detection of industrial automation, automotive industry, bolt tightening technology, electric motors, and pumps.