

Cantilever tension sensor

X-ZL05-B



Feature

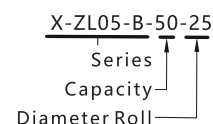
- ★ Easy installation, Small size, small installation space.
- ★ Precise, the detection signal is not affected by the coils' position on the roller.
- ★ Accurate measurement can be performed under low tension.
- ★ Built-in 10 times anti-overload protection structure.
- ★ Small temperature drift with good linearity and repeatability errors.

Dimension and capacity can be customized by request.

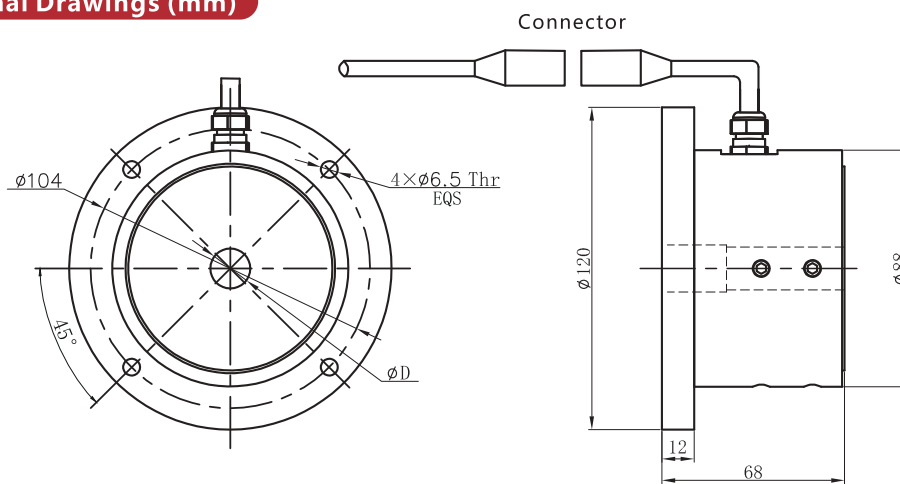
Technical specifications

Nonlinearity	$\leq 0.2\% \text{F.S.}$	Rated output	$1.0 \pm 0.1 \text{mV/V}$
Repeatability	$\leq 0.1\% \text{F.S.}$	Zero balance	$\pm 2\% \text{F.S.}$
Operating temp range	$-20 \sim 80^\circ \text{C}$	Compensated temp range	$-10 \sim 40^\circ \text{C}$
Temp effect on zero	$\leq 0.02\% \text{F.S./}^\circ \text{C}$	Insulation	$\geq 2000 \text{M}\Omega / 100 \text{VDC}$
Recommended excitation	5~10VDC	Ultimate load limit	300%F.S.
Cable size	$\varnothing 5 \times 5 \text{m}$	Protection class	IP54
Cable connection	Ex + : Red; Ex - : Black; Sig + : Green; Sig - : White		

Naming rules



Dimensional Drawings (mm)



Model no	Capacity (kg)	Dimension
		D ($+0.03$ $+0.01$)
X-ZL05-B-2.5-15	2.5	15
X-ZL05-B-5-15	5	15
X-ZL05-B-10-25	10	25
X-ZL05-B-15-25	15	25
X-ZL05-B-25-25	25	25
X-ZL05-B-50-25	50	25

Applications

It can be used to measure and control the tension of materials during processing, such as paper, label, tape, battery electrode, high performance film and other narrow materials. The sensor's detection signal is not affected by the position of the coiled material on the roller.