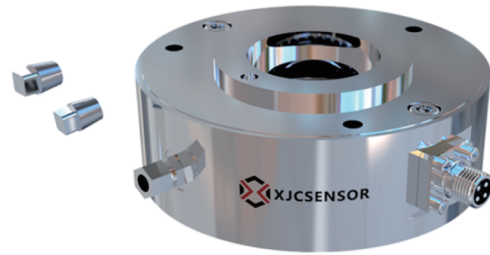


**X-ZL14**



**Feature**

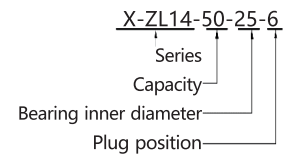
- ★ Compact structure, easy to install.
- ★ Can be installed inside or outside machine frame directly.
- ★ Minor temperature drift, good non-linearity and repeatability.
- ★ Roller's weight has no effect on the result when the measurement direction is horizontal.
- ★ Built-in new mechanical 10 times anti-overload protection.
- ★ Self-aligning bearing which can compensate installation error.
- ★ Standard M12\*1 plug.
- ★ Aluminum alloy/stainless steel material.

Dimension and capacity can be customized by request.

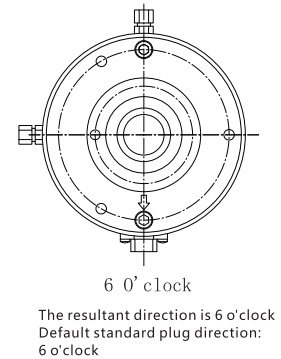
**Technical specifications**

Nonlinearity	≤0.3% F.S.	Rated output	1.5 ± 0.003mV/V
Repeatability	≤0.15%F.S.	Zero balance	±2% F.S.
Operating temp range	-20~80°C	Compensated temp range	-10~40°C
Temp effect on zero	≤0.02%F.S /°C	Insulation	≥2000MΩ /100VDC
Recommended excitation	5~10VDC	Ultimate load limit	300%F.S.
Cable size	∅5x5m	Protection class	IP63
Cable connection	Ex + : Red; Ex - : Black; Sig + : Green; Sig - : White		

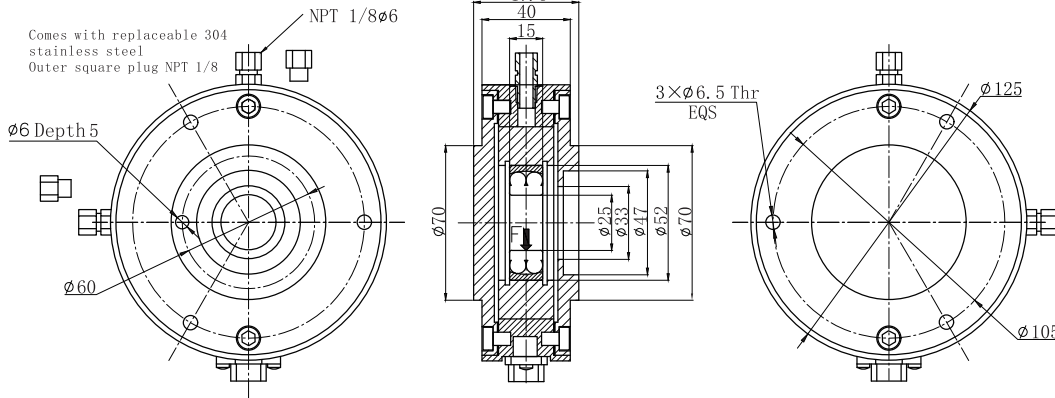
**Naming rules**



**Plug position**



**Dimensional Drawings (mm)**



Material	Model no	Capacity(kg)
Aluminium alloy	X-ZL14-5-25-6	5
	X-ZL14-10-25-6	10
Aluminium alloy/ Stainless steel	X-ZL14-15-25-6	15
	X-ZL14-25-25-6	25
	X-ZL14-50-25-6	50

Note: The rated load is only applicable to the value of a single sensor, and if installed on both sides, it is twice the above.

**Applications**

It can be used to measure and control the tension of materials during processing, such as paper, label, tape, battery electrode, high performance film and other narrow materials. The sensor's detection signal is not affected by the position of the coiled material on the roller.