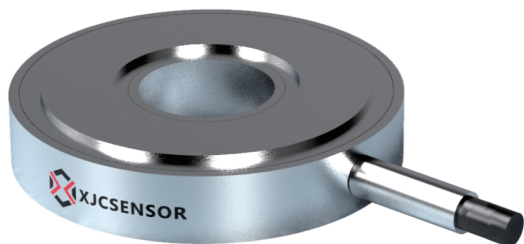


X-YD05-B-D



Feature

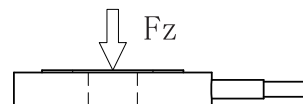
- ★ Preloading and calibration are required after installation.
- ★ Linearity error $\leq \pm 1\%$.
- ★ Compact design, Ultra thin thickness, Extremely rigid.
- ★ Wide operating temperature range, High IP level, Long lifespan.
- ★ Especially suitable for high-speed dynamic applications.

Dimension and capacity can be customized by request.

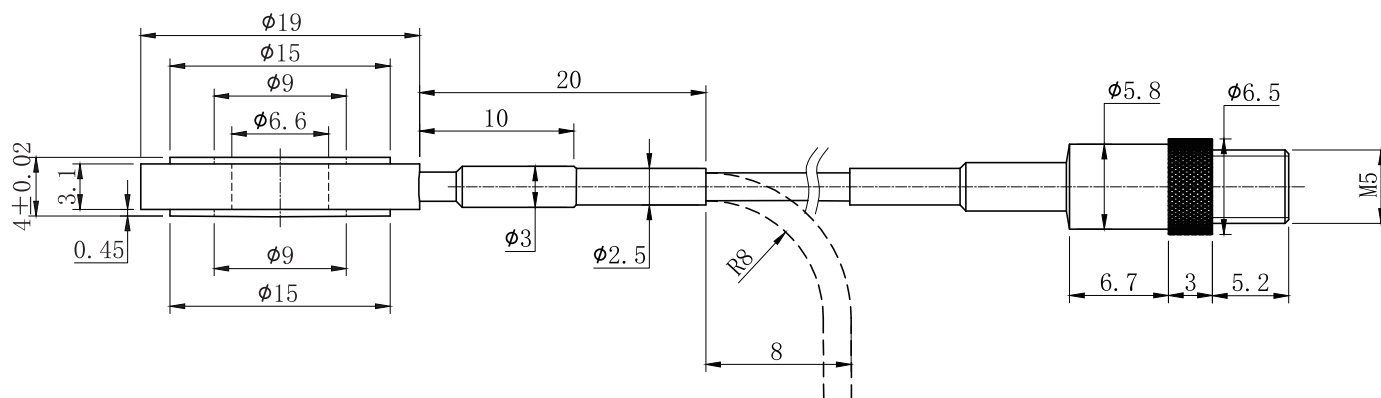
Technical specifications

Capacity	2t	Repeatability	$\leq 1\%$ F.S.
Nonlinearity	$\leq 1\%$ F.S.	Operating temp range	-20 ~ 150°C
Overload capacity	$\leq 120\%$ F.S.	Insulation	$\geq 10T\Omega$
Hysteresis	$\leq 1\%$ F.S.	Temp effect on zero	$\leq 0.05\%$ F.S. /°C
Output	$\approx 4.1 \pm 0.3$ pC/N	Protection class	IP66
material	stainless steel	Cable size	$\varnothing 1.9 \times 0.3m + M5$ RF connector female

Load direction



Dimensional Drawings (mm)



Applications

Monitor the pressing force during assembly, testing etc. Monitor force during stamping and forming . Measure the large forces in force distribution.