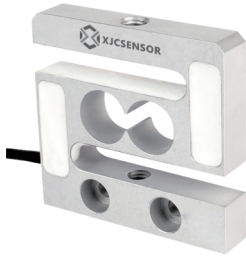


X-S03-A

Feature



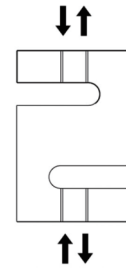
- ★ Adopts high-precision resistance strain principle
- ★ Supports force measurement in the range of 0–50 kg .
- ★ S structural design, compression and tension , easy to install and flexible.
- ★ High precision and high stability

Dimension and capacity can be customized by request.

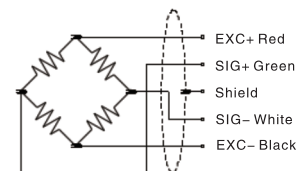
Technical specifications

Capacity (Optional)	5kg, 10kg, 20kg, 50kg	Material	Aluminum alloy Alloy steel
Nonlinearity	≤ 0.05% F.S.	Rated output	2. 0± 0.2mV/V
Recommended excitation	5–10VDC	Maximum excitation	10V DC
Protection class	IP54	Compensated temp range	- 10 ~ 40 °C
Hysteresis	≤ 0.05% F.S.	Operating temp range	- 20 ~ 80 °C
Repeatability	≤ 0.03% F.S.	Insulation	≥ 5000MΩ /100VDC
Input impedance	400 ± 50Ω	Output impedance	350 ± 10Ω
Creep (30min)	≤ 0.05% F.S.	Temp effect on output	≤ 0.05% F.S. / 10°C
Zero balance	± 2% F.S.	Temp effect on zero	≤ 0.05% F.S. / 10°C
Safe load limit	150% F.S.	Ultimate load limit	200% F.S.
Cable size	Ø3x4m	Fatigue life	Full scale more than 1 million times
Cable connection	Ex + : Red; Ex - : Black; Sig + : Green; Sig - : White		

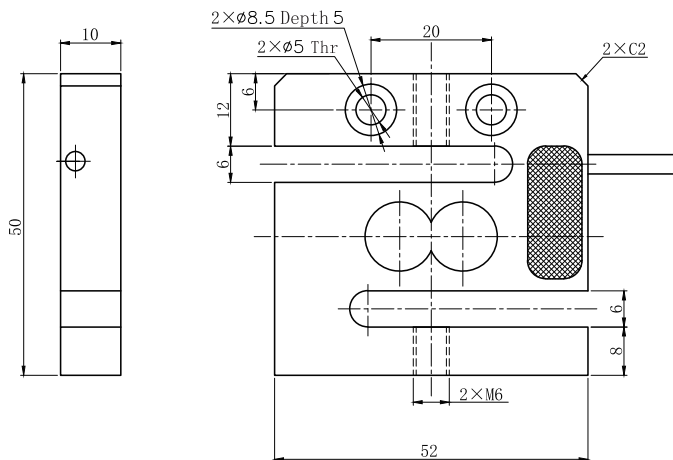
Load direction



Wiring code



Dimensional Drawings (mm)



Applications

Mainly applied in tension and compression testing instruments and automatic equipments fields, such as small range of force testing instruments, hopper scales, insertion force test instruments, riveting machine, welding machine, hot & cold lamination machine, feeling tester for keyboard switch, and etc.