

**X-L08**



**Feature**

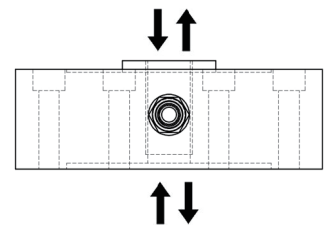
- ★ X-S08 adopts high-precision resistance strain principle
- ★ Supports force measurement in the range of 0–30ton.
- ★ Oil, water, corrosion resistance
- ★ Wheel-shape, beautiful appearance
- ★ High dynamic response frequency

Dimension and capacity can be customized by request.

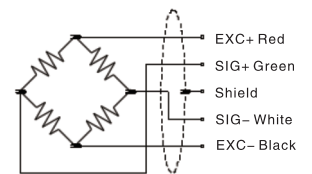
**Technical specifications**

Capacity ( Optional )	50kg,100kg,200kg,500kg,1t,2t,5t,7t,10t,20t,30t	Material	Alloy steel Stainless steel
Nonlinearity	≤ 0.1% F.S.	Rated output	2.0±0.2 mV/V
Recommended excitation	5–10VDC	Maximum excitation	10V DC
Protection class	IP66	Compensated temp range	-10 ~ 40 °C
Hysteresis	≤ 0.05% F.S.	Operating temp range	-20 ~ 80 °C
Repeatability	≤ 0.05% F.S.	Insulation	≥5000MΩ/100VDC
Input impedance	750 ± 50Ω	Output impedance	700 ± 10Ω
Creep (30min)	≤ 0.05% F.S.	Temp effect on output	≤ 0.05% F.S. / 10°C
Zero balance	± 2% F.S.	Temp effect on zero	≤ 0.05% F.S. / 10°C
Safe load limit	150%F.S.	Ultimate load limit	200%F.S.
Cable size	∅5x3m	Fatigue life	Full scale more than 1 million times
Cable connection	Ex + : Red; Ex - : Black; Sig + : Green; Sig - : White		

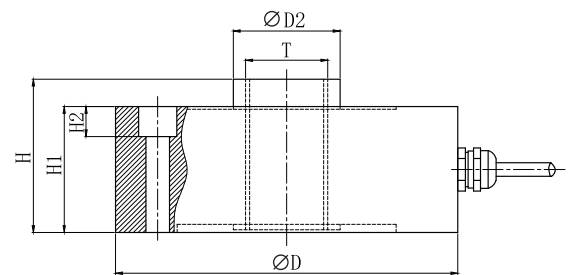
**Load direction**



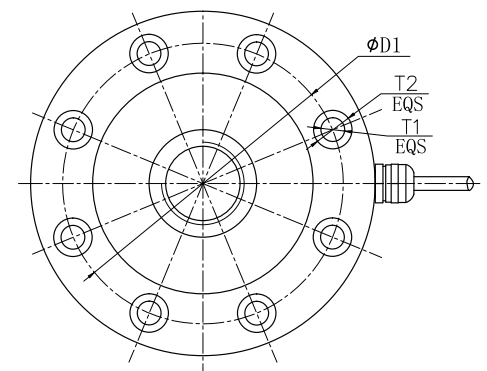
**Wiring code**



**Dimensional Drawings (mm)**



Capacity	D	D1	D2	H	H1	T	T1	T2	H2
50/100/200/500kg	88	72	22	34	31	M12*1.75	8*∅7	8*∅11	7.2
1/2/5/7t	105	89	32	37	34	M16*1.5	8*∅7	8*∅11	7.2
10/15/20t	120.6	101.8	39	53.5	41	M32*1.5	8*∅9	8*∅14	10.5
30t	141	116.8	50.4	57.2	50.8	M40*1.5	8*∅11	8*∅18	11



**Applications**

Mainly applied in tension and compression testing instruments and automatic equipments fields, such as small range of force testing instruments, hopper scales, lifting hook scales, insertion force test instruments, and etc.