

X-C08-H30



Feature

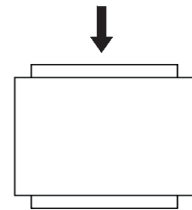
- ★ Adopts high-precision resistance strain principle
- ★ Supports force measurement in the range of 0–500kg.
- ★ Robust pressure-bearing structure with simplified installation.
- ★ High quality stainless steel material
- ★ High response frequency

Dimension and capacity can be customized by request.

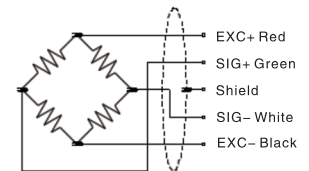
Technical specifications

Capacity (Optional)	5kg,10kg,20kg,50kg,100kg,300kg,500kg	Material	Stainless steel
Nonlinearity	≤0.2% F.S.	Rated output	2.0±0.2mV/V
Recommended excitation	5–10VDC	Maximum excitation	10V DC
Protection class	IP54	Compensated temp range	- 10 ~ 40 °C
Hysteresis	≤0.2% F.S.	Operating temp range	- 20 ~ 80 °C
Repeatability	≤0.2% F.S.	Insulation	≥5000MΩ/100VDC
Input impedance	380 ± 30 Ω	Output impedance	350 ± 5 Ω
Creep (30min)	≤0.1% F.S.	Temp effect on output	≤0.1% F.S. /10 °C
Zero balance	± 2% F.S.	Temp effect on zero	≤0.1% F.S. /10 °C
Safe load limit	150% F.S.	Ultimate load limit	200% F.S.
Cable size	Ø3x4m	Fatigue life	Full scale more than 1 million times
Cable connection	Ex + : Red; Ex - : Black; Sig + : Green; Sig - : White		

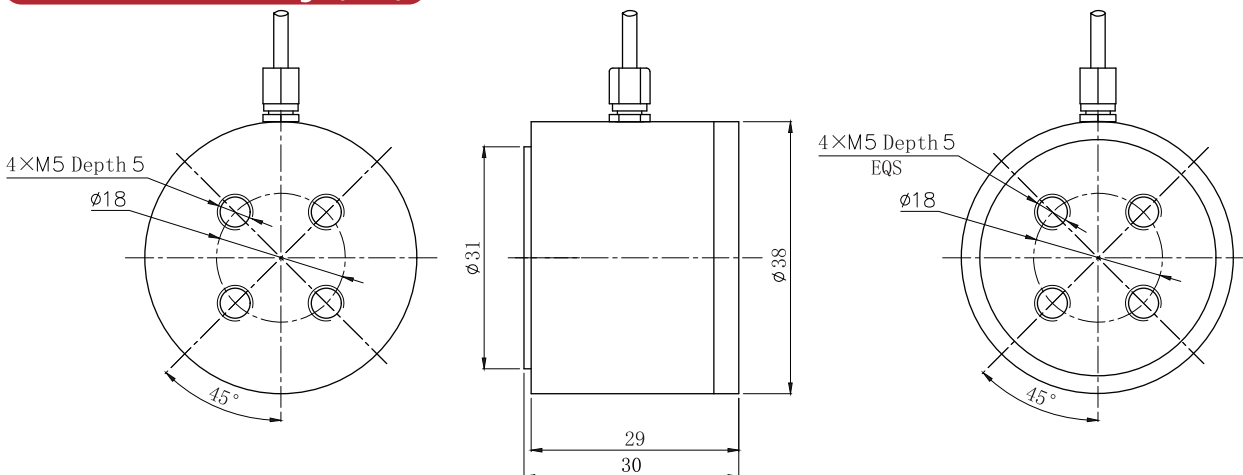
Load direction



Wiring code



Dimensional Drawings (mm)



Applications

Automotive, medical, robot, electronic, mechanical equipment, automation equipment, etc.

Force measurement in small space installation, such as feeling tester for keyboard switch, compression force measurement for hot and cold lamination machine, and grasping force measurement for dexterous hands.