

X-C01-6.5



Feature

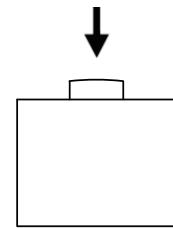
- ★ Adopts high-precision resistance strain principle
- ★ Supports force measurement in the range of 0-50kg.
- ★ Capsule structural design, robust pressure-bearing structure with simplified installation.
- ★ High quality stainless steel material
- ★ Small size, beautiful appearance
- ★ High response frequency

Dimension and capacity can be customized by request.

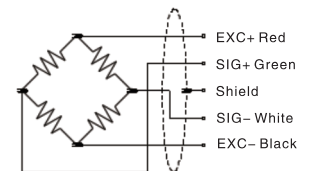
Technical specifications

Capacity (Optional)	5kg,10kg ,20kg,30kg, 50kg	Material	Stainless steel
Nonlinearity	≤ 0.5% F.S.	Rated output	0.5-2.2mV/V
Recommended excitation	5 VDC	Maximum excitation	10V DC
Protection class	IP64	Compensated temp range	- 10 ~ 40 °C
Hysteresis	≤ 0.5% F.S.	Operating temp range	- 20 ~ 80 °C
Repeatability	≤ 0.5% F.S.	Insulation	≥2000MΩ / 50VDC
Input impedance	350±10Ω(1000±100Ω)	Output impedance	350 ± 5 Ω (1000 ±100Ω)
Creep (30min)	≤ 0.5% F.S.	Temp effect on output	≤ 0.5% F.S. /10° C
Zero balance	±2% F.S.	Temp effect on zero	≤ 0.5% F.S. /10° C
Safe load limit	150% F.S.	Ultimate load limit	200% F.S.
Cable size	Ø2 x4 m	Fatigue life	Full scale more than 1 million times
Cable connection	Ex + : Red; Ex - : Black; Sig + : Green; Sig - : White		

Load direction

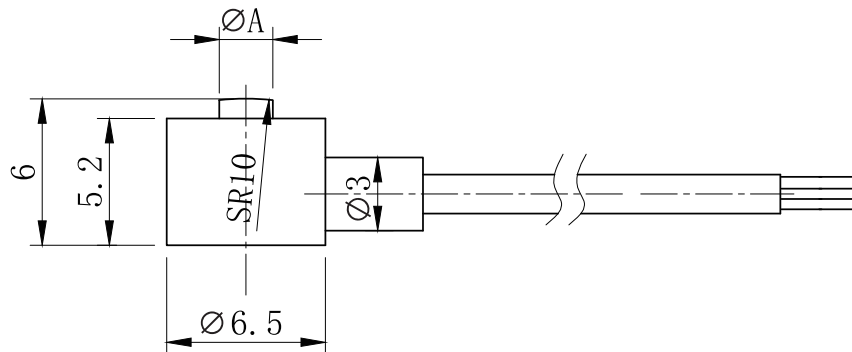


Wiring code



Dimensional Drawings (mm)

Capacity	A
5/10 kg	1.5
20/30kg	2.0
50 kg	2.5



Applications

Automotive, medical, robot, electronic, mechanical equipment, automation equipment, etc.

Force measurement in small space installation, such as feeling tester for keyboard switch, compression force measurement for hot and cold lamination machine, and grasping force measurement for dexterous hands.