

X-X02



Feature

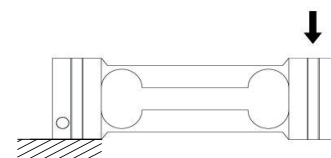
- ★ Adopts high-precision resistance strain principle
- ★ Supports force measurement in the range of 0-10kg.
- ★ Parallel Beam structural design, robust pressure-bearing structure with simplified installation.
- ★ High precision and high stability
- ★ Small size, beautiful appearance
- ★ Compensated four-corner error

Dimension and capacity can be customized by request.

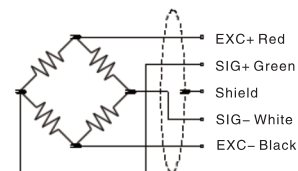
Technical specifications

Capacity (Optional)	0.3kg, 1kg, 2kg, 3kg, 5kg, 10kg	Material	Aluminum alloy
Nonlinearity	≤ 0.02% F.S.	Rated output	1.0 ± 0.2mV/V (0.3kg) 2.0 ± 0.2mV/V (other)
Recommended excitation	5-10VDC	Maximum excitation	10V DC
Hysteresis	≤ 0.02% F.S.	Compensated temp range	- 10 ~ 40 °C
Repeatability	≤ 0.02% F.S.	Operating temp range	- 20 ~ 60°C
Input impedance	400 ± 50Ω	Insulation	≥2000MΩ / 50VDC
Creep (30min)	≤ 0.02% F.S.	Output impedance	350 ± 5 Ω
Zero balance	± 0.04 mV/V	Temp effect on output	≤ 0.02% F.S. / 10°C
Safe load limit	120%F.S.	Temp effect on zero	≤ 0.02% F.S. / 10°C
Cable size	Ø3x 0.45m	Ultimate load limit	150% F.S.
Recommended Platform Size	200 × 200 mm	Fatigue life	Full scale more than 1 million times
Cable connection	Ex + : Red; Ex - : Black; Sig + : Green; Sig - : White		

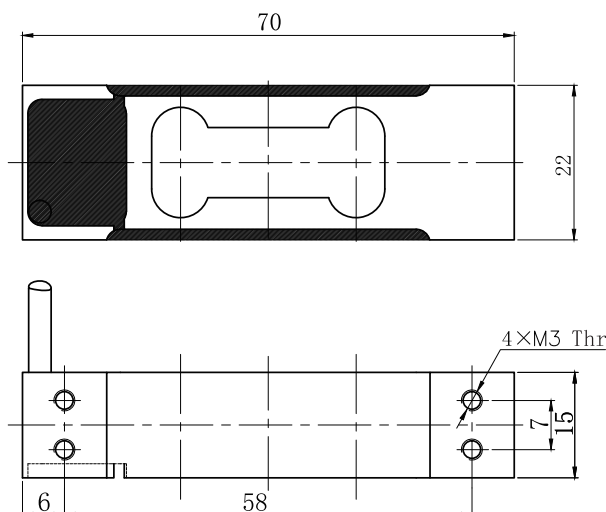
Load direction



Wiring code



Dimensional Drawings (mm)



Applications

Suitable for electronic scales, counting scales, electronic balance, and industrial weighing system.