

X-C02-3M



Feature

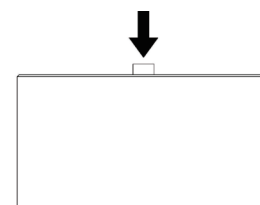
- ★ Adopts high-precision resistance strain principle
- ★ Supports force measurement in the range of 0-12 ton.
- ★ Capsule structural design, robust pressure-bearing structure with simplified installation.
- ★ High quality stainless steel material
- ★ Small size, beautiful appearance
- ★ High response frequency

Dimension and capacity can be customized by request.

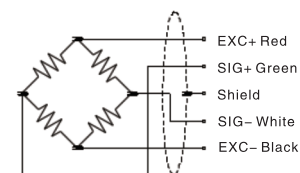
Technical specifications

Capacity (Optional)	5kg,10kg,20kg,50kg,100kg,200kg,500kg,1t,2t,5t,10t,12t		Alloy steel Stainless steel
Nonlinearity	≤ 0.5% F.S.	Rated output	1.0-1.5mV/V
Recommended excitation	5-10VDC	Maximum excitation	10V DC
Protection class	IP64	Compensated temp range	- 10 ~ 40 °C
Hysteresis	≤ 0.5% F.S.	Operating temp range	- 20 ~ 80 °C
Repeatability	≤ 0.1% F.S.	Insulation	≥ 5000MΩ /100VDC
Input impedance	1000±100Ω (750±50Ω)	Output impedance	1000±100Ω (700 ± 10Ω)
Creep (30min)	≤ 0.1% F.S.	Temp effect on output	≤ 0.2% F.S. /10°C
Zero balance	± 2% F.S.	Temp effect on zero	≤ 0.2% F.S. /10°C
Safe load limit	150% F.S.	Ultimate load limit	200% F.S.
Cable size	∅2x4m / ∅3x4m	Fatigue life	Full scale more than 1 million times
Cable connection	Ex + : Red; Ex - : Black; Sig + : Green; Sig - : White		

Load direction

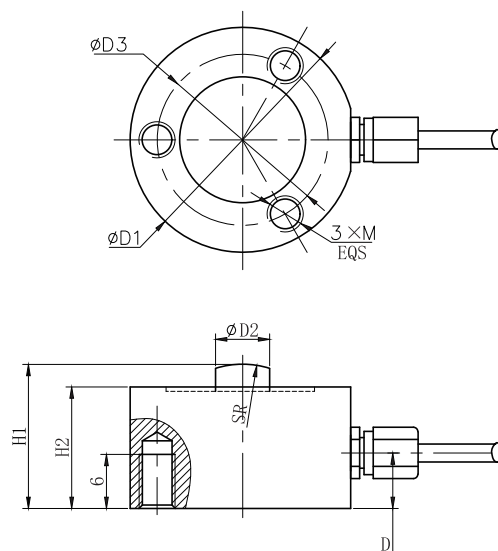


Wiring code



Dimensional Drawings (mm)

Capacity	D1	D2	D3	H1	H2	SR	D	M
5kg~100kg	20	2.5	15.5	12	10	15	4.5	M3
10kg~200kg	25	6	19	16	13.5	30	5	M4
100kg~1T	32	7	25.4	16	13.5	30	5.3	M5
2T~5T	38	11	30	20	16	50	5	M5
5T~12T	51	15	41	30	25	50	7.5	M8



Applications

Automotive, medical, robot, electronic, mechanical equipment, automation equipment, etc.

Force measurement in small space installation, such as feeling tester for keyboard switch, compression force measurement for hot and cold lamination machine, and grasping force measurement for dexterous hands.