

X-X08

Feature

- ★ Adopts high-precision resistance strain principle
- ★ Supports force measurement in the range of 0–2ton.
- ★ Parallel Beam structural design, robust pressure-bearing structure with simplified installation.
- ★ High precision and high stability
- ★ Small size, beautiful appearance
- ★ High response frequency

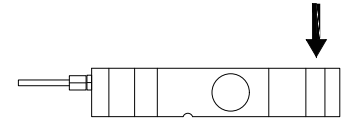


Dimension and capacity can be customized by request.

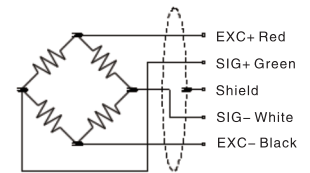
Technical specifications

Capacity	0.3t,0.5t,1t,2t	Material	Stainless steel Alloy steel
Nonlinearity	≤ 0.03% F.S.	Rated output	2.0 ± 0.004mV/V
Recommended excitation	5–10VDC	Maximum excitation	10V DC
Hysteresis	≤ 0.03% F.S.	Compensated temp range	- 10 ~ 40 °C
Repeatability	≤ 0.03% F.S.	Operating temp range	- 20 ~ 80°C
Input impedance	400 ± 50Ω	Insulation	≥ 5000MΩ/100VDC
Creep (30min)	≤ 0.03% F.S.	Output impedance	350 ± 10 Ω
Zero balance	± 2% F.S.	Temp effect on output	≤ 0.03% F.S. / 10°C
Safe load limit	150%F.S.	Temp effect on zero	≤ 0.03% F.S. / 10°C
Cable size	∅3x3m	Ultimate load limit	200% F.S.
Fatigue life	Full scale more than 1 million times		
Cable connection	Ex + : Red; Ex - : Black; Sig + : Green; Sig - : White		

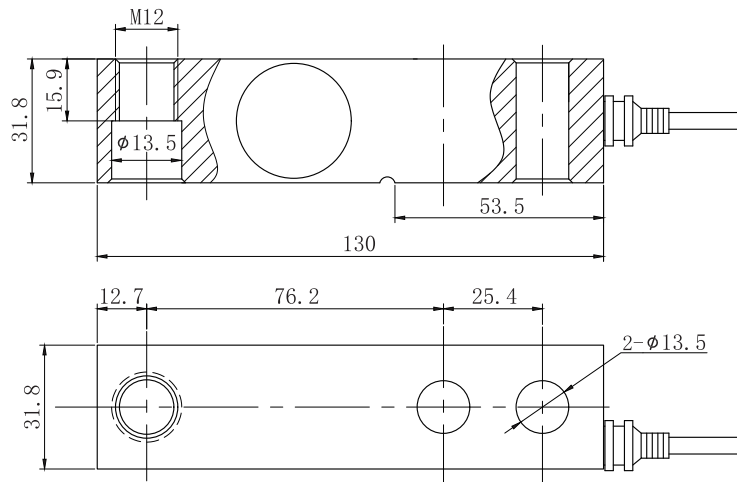
Load direction



Wiring code



Dimensional Drawings (mm)



Applications

Mainly used for floor scales, platform scales, batching scales, and industrial weighing system, etc.