

X-X09

Feature

- ★ Adopts high-precision resistance strain principle
- ★ Supports force measurement in the range of 0-10ton.
- ★ Robust pressure-bearing structure with simplified installation.
- ★ High precision and high stability
- ★ High response frequency

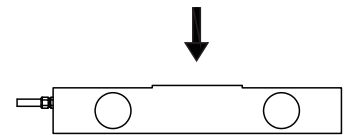


Dimension and capacity can be customized by request.

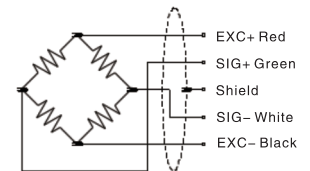
Technical specifications

Capacity (Optional)	0.5t,1t,2t,5t	Material	Stainless steel Alloy steel
Nonlinearity	≤ 0.5% F.S.	Rated output	2.0 ± 0.2mV/V
Recommended excitation	5-10VDC	Maximum excitation	10V DC
Hysteresis	≤ 0.5% F.S.	Compensated temp range	- 10 ~ 40 °C
Repeatability	≤ 0.5% F.S.	Operating temp range	- 20 ~ 80 °C
Input impedance	750 ± 50 Ω	Output impedance	≥ 5000M Ω/100VDC
Creep (30min)	≤ 0.2% F.S.	Insulation	700 ± 10 Ω
Zero balance	± 2% F.S.	Temp effect on output	≤ 0.2% F.S. / 10°C
Safe load limit	120%F.S.	Temp effect on zero	≤ 0.2% F.S. / 10°C
Cable size	Ø4x4m	Ultimate load limit	150% F.S.
Fatigue life	Full scale more than 1 million times		
Cable connection	Ex + : Red; Ex - : Black; Sig + : Green; Sig - : White		

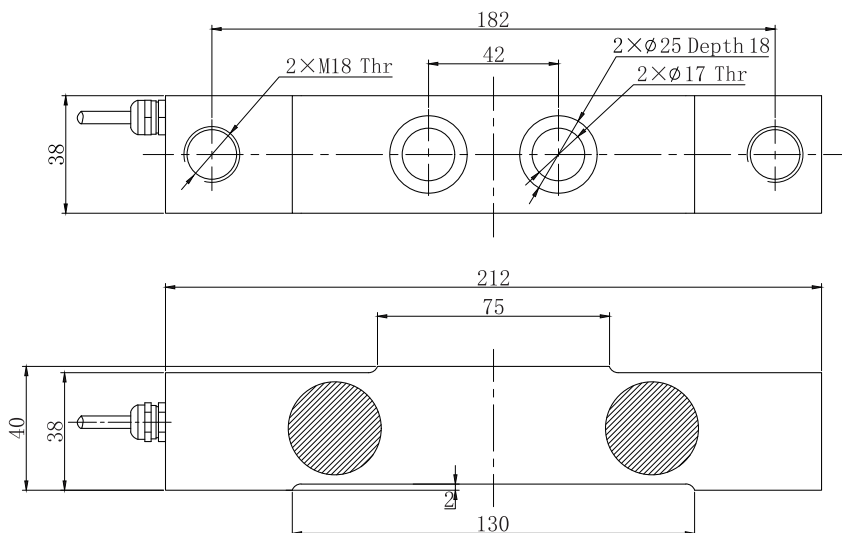
Load direction



Wiring code



Dimensional Drawings (mm)



Applications

Suitable for cold & hot press machines, construction machinery, hopper scales, and platform scales, etc.