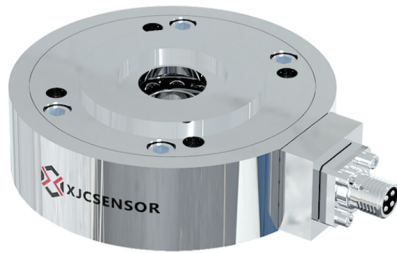


X-ZL13



Feature

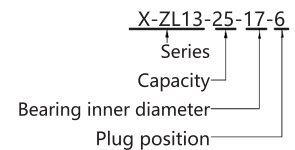
- ★ Compact structure, easy to install.
- ★ Can be installed directly inside or outside the machine frame.
- ★ Minor temperature drift, good non-linearity and repeatability.
- ★ Built-in new mechanical 10 times anti-overload protection.
- ★ Self-aligning bearing which can compensate installation error.
- ★ Standard M12*1 plug.
- ★ Materials: Aluminium alloy, Alloy steel.

Dimension and capacity can be customized by request.

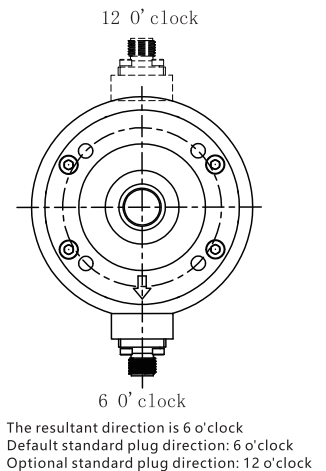
Technical specifications

Nonlinearity	≤0.3% F.S.	Rated output	1.5 ± 0.003mV/V
Repeatability	≤0.15%F.S.	Zero balance	±2% F.S.
Operating temp range	-20~80°C	Compensated temp range	-10~40°C
Temp effect on zero	≤0.02%F.S /°C	Insulation	≥2000MΩ/100VDC
Recommended excitation	5~10VDC	Ultimate load limit	300%F.S.
Cable size	∅ 5x5m	Protection class	IP63
Cable connection	Ex + : Red; Ex - : Black; Sig + : Green; Sig - : White		

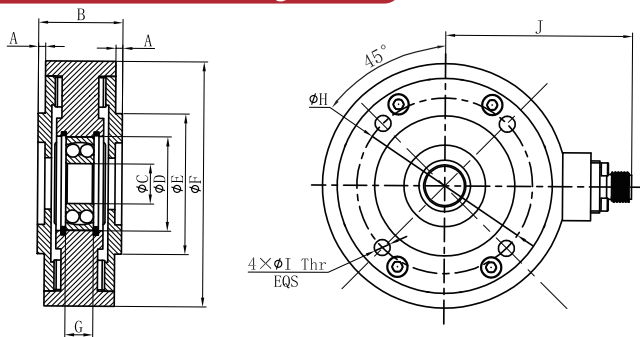
Naming rules



Plug position



Dimensional Drawings (mm)



Model no	Capacity (kg)	Dimension									
		A	B	C	D	E	F	G	H	I	J
X-ZL13-5-17-6	5	3	36	17	40	60	105	16	75	6.5	80
X-ZL13-10-17-6	10	3	36	17	40	60	105	16	75	6.5	80
X-ZL13-15-17-6	15	3	36	17	40	60	105	16	75	6.5	80
X-ZL13-25-17-6	25	3	36	17	40	60	105	16	75	6.5	80
X-ZL13-50-17-6	50	3	36	17	40	60	105	16	75	6.5	80
X-ZL13-75-25-6	75	4	47.5	25	52	70	125	18	95	6.5	90
X-ZL13-100-25-6	100	4	47.5	25	52	70	125	18	95	6.5	90
X-ZL13-150-35-6	150	4	65	35	72	100	175	23	135	8.5	115
X-ZL13-300-35-6	300	4	65	35	72	100	175	23	135	8.5	115
X-ZL13-500-65-6	500	4	80	65	120	160	265	31	220	10.5	160
X-ZL13-1000-65-6	1000	4	80	65	120	160	265	31	220	10.5	160
X-ZL13-2000-65-6	2000	4	80	65	120	160	265	31	220	10.5	160
X-ZL13-3000-65-6	3000	4	80	65	120	160	265	31	220	10.5	160

Note: The rated load is only applicable to the value of a single sensor, and if installed on both sides, it is twice the above.

Applications

It can be used to measure and control the tension of materials during processing, such as paper, label, tape, battery electrode, high performance film and other narrow materials. The sensor's detection signal is not affected by the position of the coiled material on the roller.