

# Force Transducer KWZ-65-3t-1.00

Part no.: VX34020899

Serial no.: Key 35J

# VELOMAT

MESSELEKTRONIK GmbH



- **Measurement range 0 ... 29.42 kg**
- **Measuring bridge 350  $\Omega$**
- **Strain gauge full bridge**

## Description

The tensile force transducer operates on the principle of measuring force in the direction of the longitudinal axis.

It can measure high tensile forces on lifts, cranes and gondolas, as well as tension in masts, towers, platforms and similar structures.

The KWZ-65 is designed as a double tension element. For easy installation using bolts or similar, it has a 42 mm diameter bore on both sides.

Using the shackles available as accessories, it can be easily attached to load hooks, trolleys, eyebolts, chain links or other slings.

The application chamber for the strain gauge (SG) is sealed and protected by a plate. This provides protection against mechanical and chemical damage.

Full-bridge strain gauges measure the deformation caused by tensile forces on the transducer within the measuring chamber.

The bridge balance is calibrated to approx.  $\pm 0.1$  mV/V in the unloaded state.

The KWZ-65 is designed for connection to an amplifier.

The shield of the supply cable is not connected to the surface of the load cell.

## Product Range Force Transducer



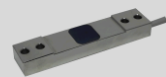
Shear force  
Transducer  
SKA-30D



Parallel  
Bending Beam  
PBB-28A



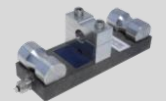
Tensile Force  
Transducer  
ZKA-12



Strain  
Transducer  
DA-20



Compression  
Force  
Transducer  
DKA-30



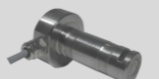
Rope Force  
Transducer  
LBA-160



Tensile Force  
Transducer  
KWZ-70



Tensile / Com-  
pression Force  
Transducer  
DZA-24A



Load Pin  
SB-25



Load Pin  
SKL-90

# Force Transducer KWZ-65-3t-1.00

Part no.: VX34020899

Serial no.: Key 35J

# VELOMAT

MESSELEKTRONIK GmbH



## Technical Data

### Mechanical Data:

#### Force Transducer:

Weight:	approx. 1.1 kg
Material:	Stainless steel
Degree of protection:	IP 67
Nominal load:	29.42 kN = $\pm 3t$
Max. working load:	150 % of nominal load
Min. breaking load:	400 % of nominal load

### Electrical Data:

#### General Data:

Total error:	$\leq 1$ % of final value
Temperature error zero point:	$\leq 0.04$ % of final value / K
Temperature error sensitivity:	$\leq 0.04$ % of final value / K
Insulation resistance:	$> 5000$ M $\Omega$
Nominal temperature range:	-15°C to +70°C
Temperature range of use:	-25°C to +80°C

#### Measurement Bridge:

Operating voltage:	max. 12 V AC / DC
Measurement principle:	Strain gauge full bridge
Input / output resistance:	350 $\Omega$ / 350 $\Omega$
Nominal sensitivity:	approx. 1 mV/V (exact value: see label / type plate)

## Cable and Connection

### Cable:

Type:	PVC screened 4 x 0.14 mm <sup>2</sup>
Length:	3 m
Cable end:	ferrules

### Core Colour

### Description

Brown	Bridge supply Us+ / B+
Green	Bridge supply Us- / B-
Yellow	Bridge output U <sub>B+</sub> / S+
White	Bridge output U <sub>B-</sub> / S-
Blue	Shielding (only for shielded cable)

### Product Range Electronics



Measurement Amplifier  
VMV-0025



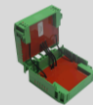
Limiting Switch  
VMV-0131



Large Size Display  
VPA-0185



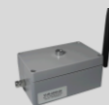
Handheld Terminal  
VHT-0041  
VHT-0020



ATEX Barrier  
VZB-0010



Data Logger  
VPA-0400



Radio System  
VUR-0350



Small Control System  
VKS-0100



Measurement Controller  
VKS-0120



Load Monitor  
VKS-0151



ATEX Device  
VMV-0034

# Force Transducer KWZ-65-3t-1.00

Part no.: VX34020899

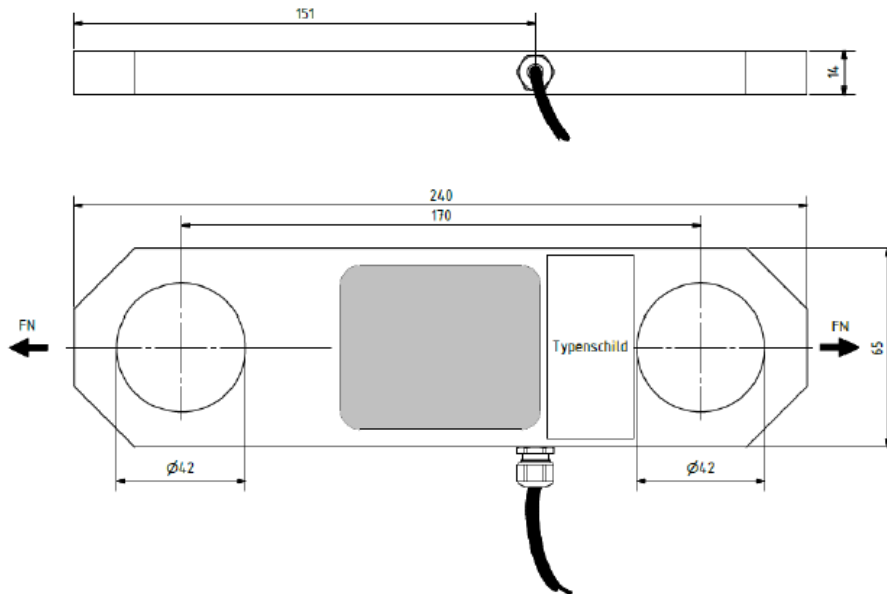
Serial no.: Key 35J

# VELOMAT

MESSELEKTRONIK GmbH



## Installation & Fitting



Customised  
Special Solutions

Contract  
Applications

Factory Calibration

DAkKS- / DKD-  
Calibration

Cable Assembly

Engineering Services