

X-100SX Intelligent pressure switch



Feature

- ★ Range: -100kpa~0 & 0~5kpa~1000bar.
- ★ Rotary head 330 degree.
- ★ Switch output optional PNP or NPN.
- ★ Superior long term stability.
- ★ Strong antiinterference ability.

Dimension and capacity can be customized by request.

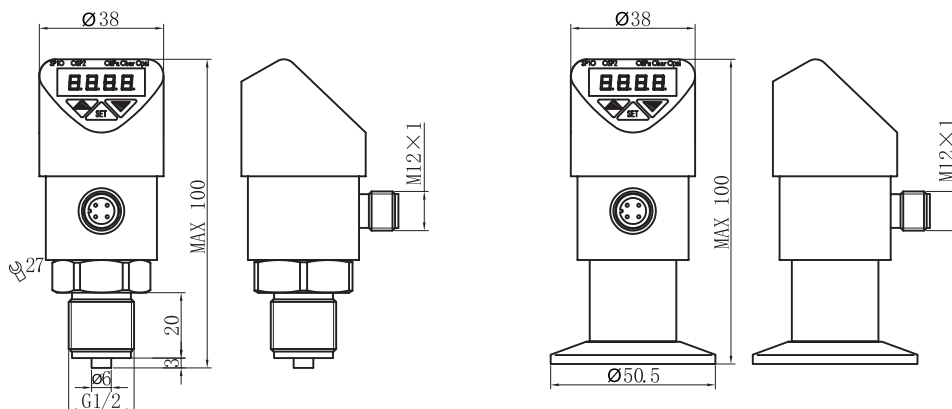
Technical specifications

Product Performance	
Long-Term Stability	±0.2%FS/year(Not cumulative)
Accuracy	±0.25%FS, ±0.5%FS(Optional)
Temp.Effect	1.5%FS/100°C
Comp.Temp.	-20°C~80°C
Working Temp.	-20°C~60°C
Zero Error	±1%FS
Span Error	±1%FS
Response Time	≤5ms
Fatigue Life	More than 100 million designs
Physical Characteristics	
Pressure Interface	See Ordering Guide
Contact Parts	SS304, SS316L
Electrical Interface	M12×1 Aviation Plug-in 5PIN
Shell Protection	IP65
Shock	EC 68-2-32 procedure I
Vibration	40g, 20-2000Hz
Weight	About 200g
Environmental Data	
Certification	CE, RoHS

Current Output		
Output (2-wire)	4-20mA 2-wire	
Power Supply	10-30Vdc	
Triode output		
Output (4-wire)	PNP, NPN 4-wire	
Power Supply	12-30Vdc	

Range	Proof Pressure(×FS)	Burst Pressure(×F)
Kpa / bar	X-100SX	X-100SX
Vacuum	5.0×FS	10.0×FS
5~100kpa	2.0×FS	5.0×FS
200kpa~100bar	2.0×FS	3.0×FS

Dimensional Drawings (mm)



Ordering guide

Model : X-100SX -①②③④⑤

Attention	Pressure Type	Range	Process connection	switch type	Accuracy
1. Provide only 5pin	=	Range	2G=G1/4	2PNP= 2-way PNP	=±0.5%FS
2. Standard 3 m 5-core cable	Gauge pressure	K=kPa	4G=G1/2	2NPN= 2-way NPN	2=±0.25%FS
3. With**, please contact the technician	A= Absolute pressure	B=bar	2N=1/4NPT		
		M=MPa	4N=1/2NPT		
			14M=M14×1.5		
			20M=M20×1.5		

Applications

Hydraulic, pneumatic equipment, pump sets and other industrial control field applications.